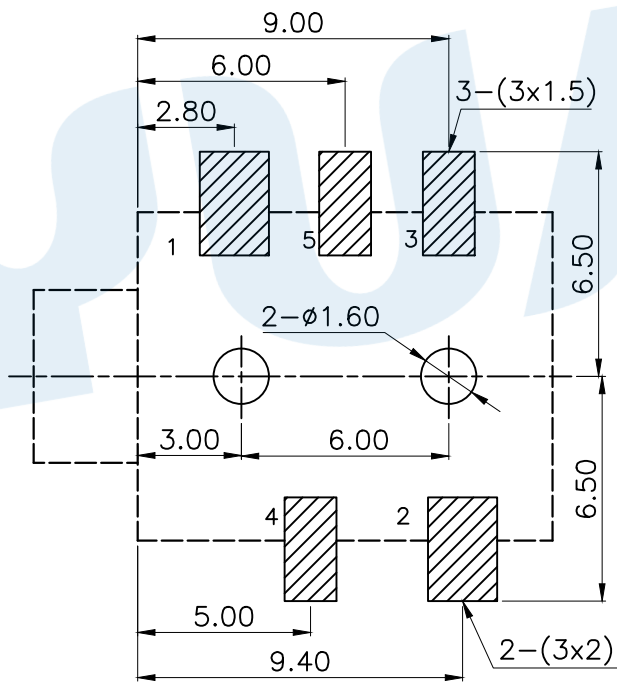
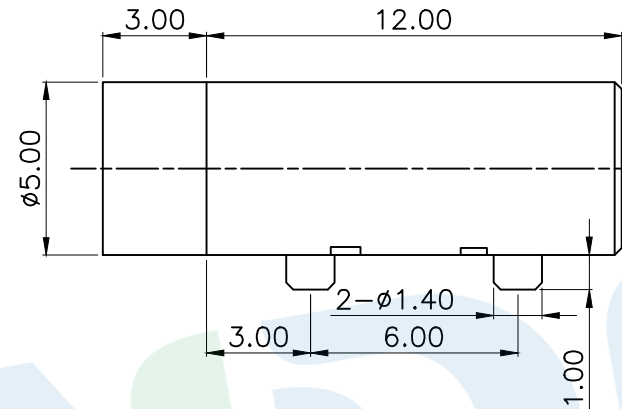
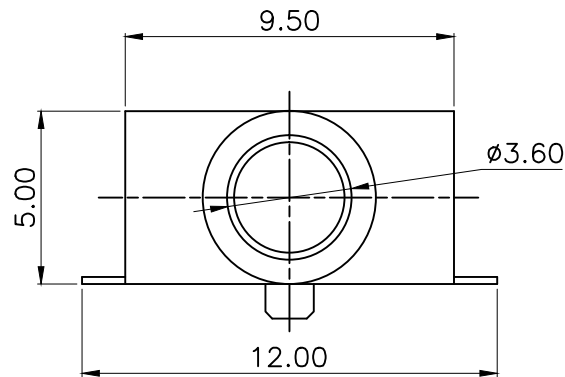


RoHS



P.C.B LAYOUT(Copper-side view)

Model NO	PJ-365-A	PJ-365-B
Schematic		
Model NO	PJ-365-C	PJ-365-D
Schematic		

Rating:0.5A 30V DC
 Contact Resistance:100 mΩ Max.
 Operating temperature:-20 ~70
 Operating force:3-20N
 Operating Life:5,000cycles

Terminal		5	Phosphor bronze	Au Plating	
Housing		1	Nylon	Black	
NO.	Name	Number	Qty	Materil	Remarks
YUANDI® Yuandi Electronics Co, Ltd					
design	date	name	PHONE JACKES		
Review	date	model	PJ-365		
Approved	date	Drawing number:			
angle	±2'	Tolerance not specified			
10~30	±0.30	Proportion	1:1	unit	mm
5~10	±0.20	gape number			
~ 5	±0.10	A4			