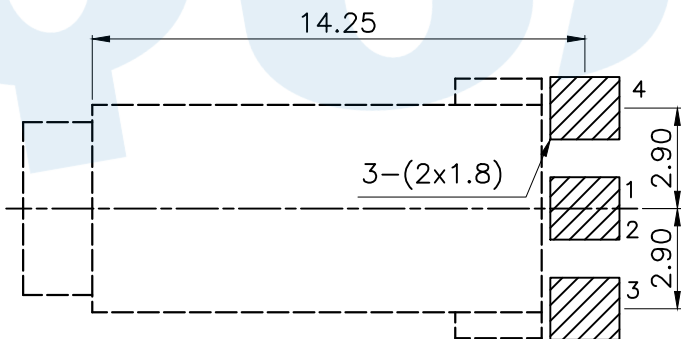
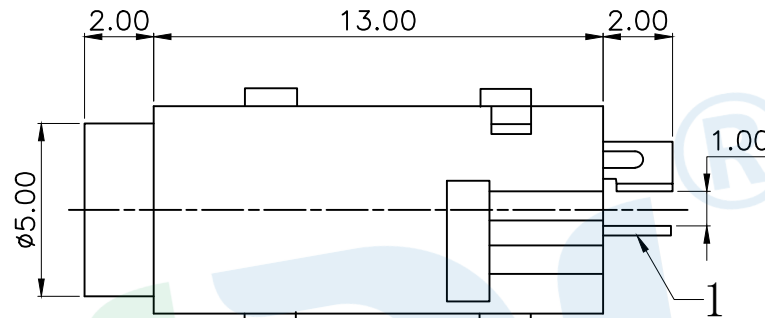
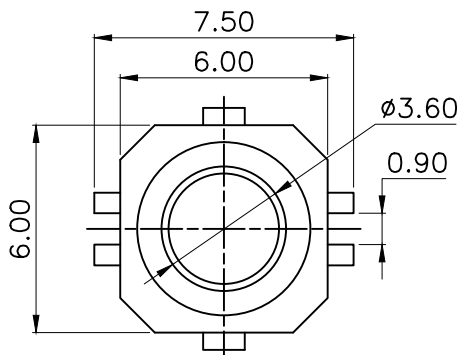


RoHS



P.C.B LAYOUT(Copper-side view)

Model NO	PJ-384-A	PJ-384-B
Schematic		

Rating:0.5A 30V DC
 Contact Resistance:100 mΩ Max.
 Operating temperature:-20 ~70
 Operating force:3-20N
 Operating Life:5,000cycles

NO.	Name	Number	Qty	Materil	Remarks
③	Terminal		3	Phosphor bronze	Ag Plating
①	Housing		1	Nylon	Black

YUANDI® Yuandi Electronics Co, Ltd

design	date	name	PHONE JACKES
Review	date	model	PJ-384
Approved	date		

angle	±2'
10~30	±0.30
5~10	±0.20
~ 5	±0.10