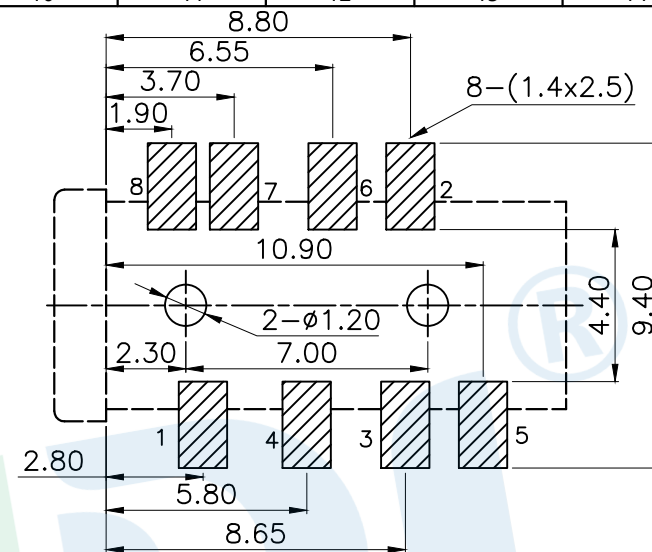
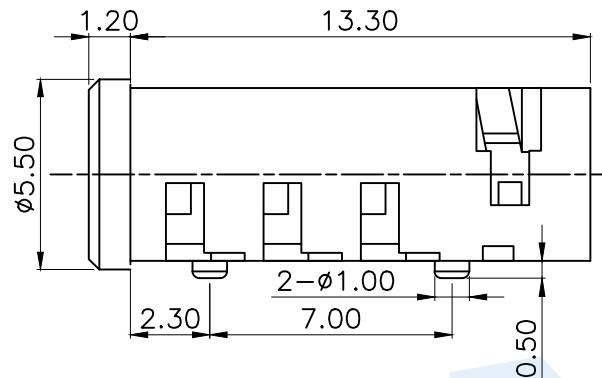
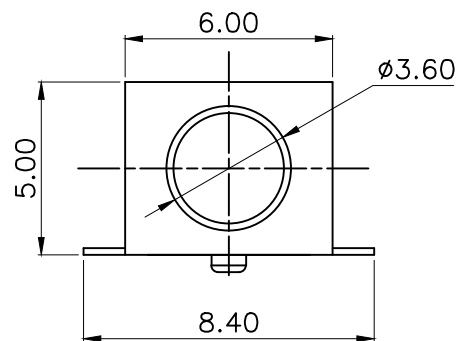


RoHS



P.C.B LAYOUT(Copper-side view)

Model NO	PJ-393-A	PJ-393-B	PJ-393-C	PJ-393-D	PJ-393-E	PJ-393-F	PJ-393-G
Schematic							
Model NO	PJ-393-H	PJ-393-I	PJ-393-J	PJ-393-K	PJ-393-L	PJ-393-M	PJ-393-N
Schematic							

Rating:0.5A 30V DC
 Contact Resistance:100 mΩ Max.
 Operating temperature:-20 ~70
 Operating force:3-20N
 Operating Life:5,000cycles

Ⓑ	Terminal		8	Phosphor bronze	Ag Plating
Ⓐ	Housing		1	Nylon	Black
NO.	Name	Number	Qty	Materil	Remarks
YUANDI® Yuandi Electronics Co, Ltd					

design	date	name	PHONE JACKES
Review	date	model	PJ-393
Approved	date		

Drawing number:

modify	Review	Approved	Tolerance not specified	Proportion	1:1	unit	mm	gape number	A4
--------	--------	----------	-------------------------	------------	-----	------	----	-------------	----