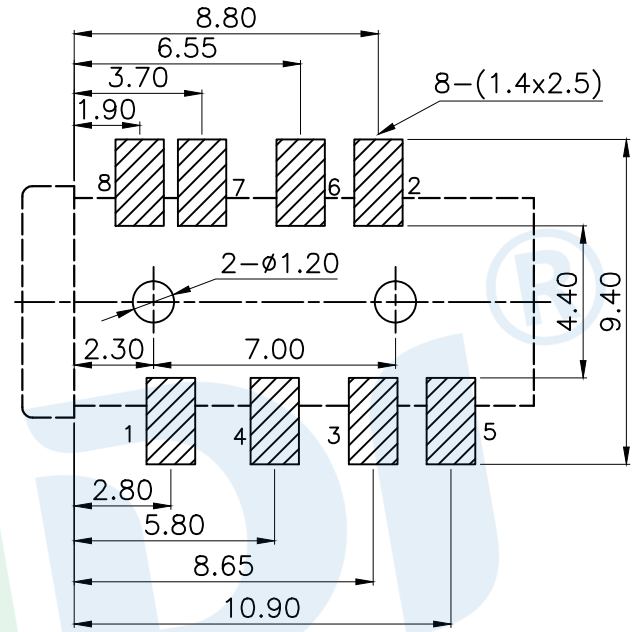
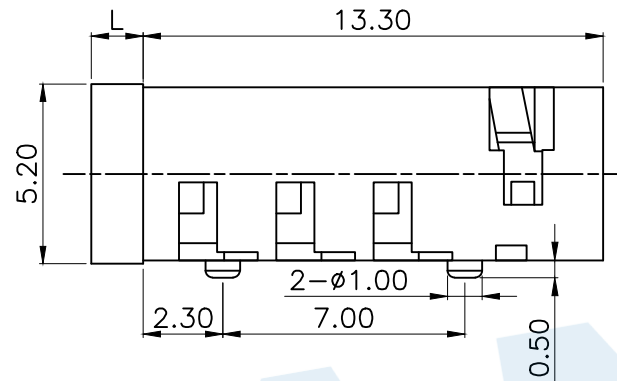
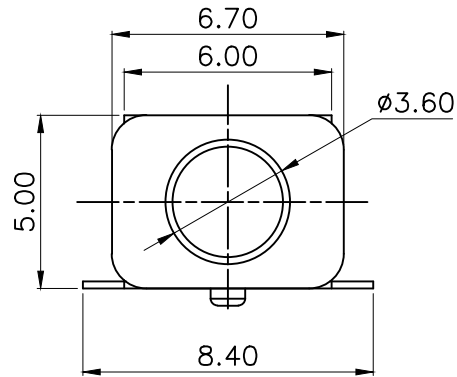


RoHS



P.C.B LAYOUT(Copper-side view)

L=1.2	PJ-393B-A	PJ-393B-B	PJ-393B-C	PJ-393B-D	PJ-393B-E	PJ-393B-F	PJ-393B-G
L=1.4	PJ-393B-H	PJ-393B-I	PJ-393B-J	PJ-393B-K	PJ-393B-L	PJ-393B-M	PJ-393B-N
L=0.8	PJ-393B-O	PJ-393B-P	PJ-393B-Q	PJ-393B-R	PJ-393B-S	PJ-393B-T	PJ-393B-U
Schematic							

Rating:0.5A 30V DC
 Contact Resistance:100 mΩ Max.
 Operating temperature:-20 ~70
 Operating force:3-20N
 Operating Life:5,000cycles

Ⓑ	Terminal		8	Phosphor bronze	Ag Plating
Ⓐ	Housing		1	Nylon	Black
NO.	Name	Number	Qty	Materil	Remarks
YUANDI® Yuandi Electronics Co, Ltd					

design	date	name	PHONE JACKES
Review	date	model	PJ-393B
Approved	date		

Drawing number: Tolerance not specified Proportion 1:1 unit mm gage number A4

angle	±2'	
10~30	±0.30	
5~10	±0.20	
~ 5	±0.10	
modify	Review	Approved