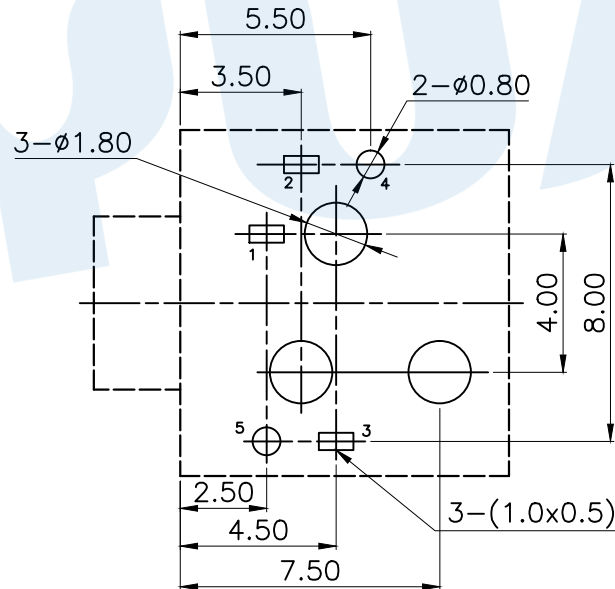
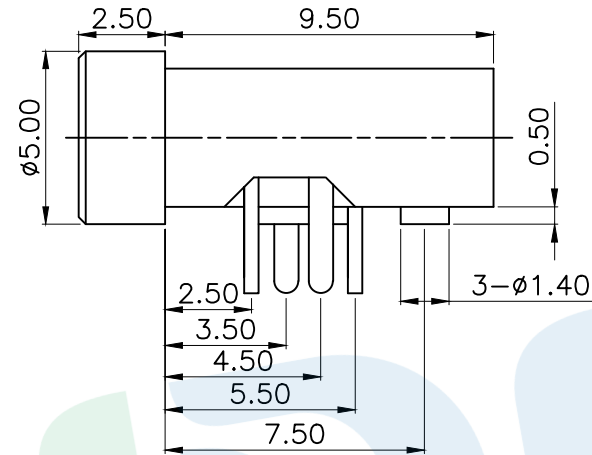
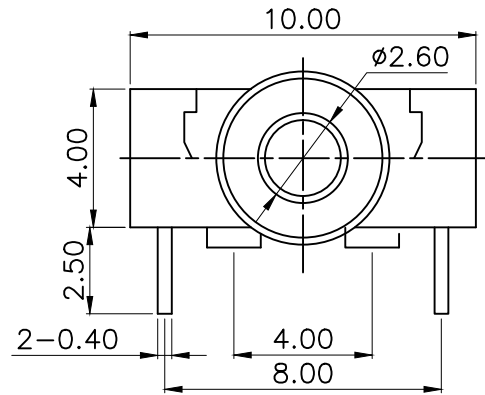


RoHS



P.C.B Layout (copper-sided view)

Rating:0.5A 30V DC
 Contact Resistance:100 mΩ Max.
 Operating temperature:-20 ~70
 Operating force:3~20N
 Operating Life:5,000cycles

Model NO	PJ-2040-A	PJ-2040-B
	PJ-2040B-A	PJ-2040B-B
Schematic		
Model NO	PJ-2040-C	PJ-2040-D
	PJ-2040B-C	PJ-2040B-D
Schematic		

Ⓑ	Terminal		5	Phosphor bronze	Ag Plating
Ⓐ	Housing		1	Nylon	Black
NO.	Name	Number	Qty	Materil	Remarks
YUANDI® Yuandi Electronics Co, Ltd					

design	date	name	PHONE JACKES
Review	date	model	PJ-2040
Approved	date		

Drawing number: Proportion 1:1 unit mm gage number A4

modify Review Approved Tolerance not specified