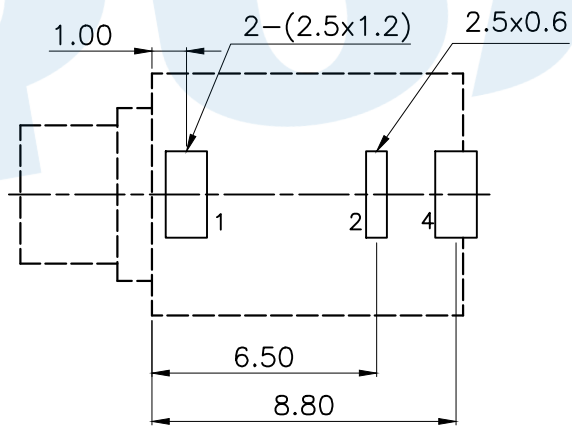
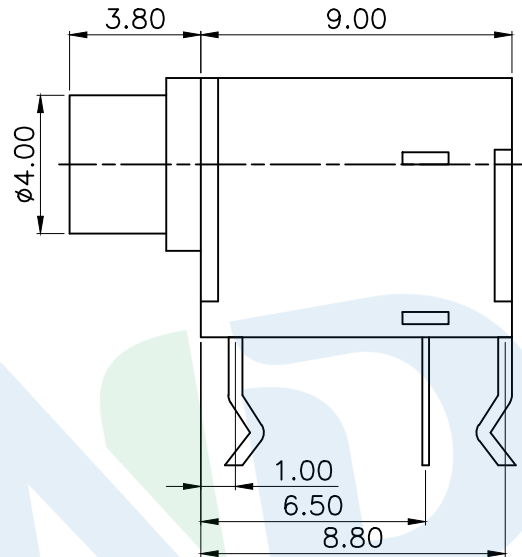
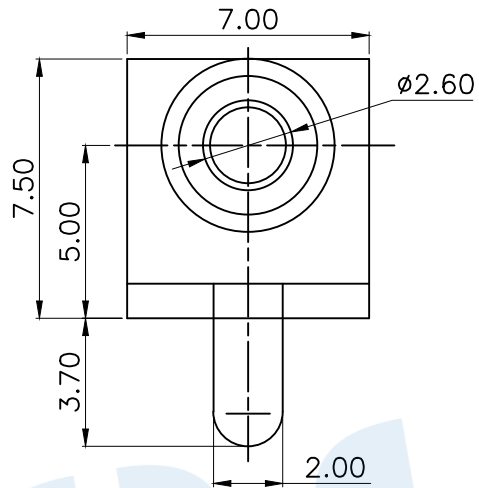
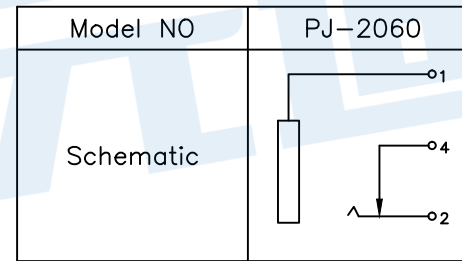


RoHS



P.C.B Layout (copper-sided view)



Rating:0.5A 30V DC
 Contact Resistance:100 mΩ Max.
 Operating temperature:-20 ~70
 Operating force:3-20N
 Operating Life:5,000cycles

Terminal		3	Phosphor bronze	Ag Plating	
Housing		1	Nylon	Black	
NO.	Name	Number	Qty	Materil	Remarks
YUANDI® Yuandi Electronics Co, Ltd					

design	date	name	PHONE JACKES
Review	date	model	PJ-2060
Approved	date		

Drawing number:	Proportion	1:1	unit	mm	gape number	A4
-----------------	------------	-----	------	----	-------------	----

modify Review Approved Tolerance not specified