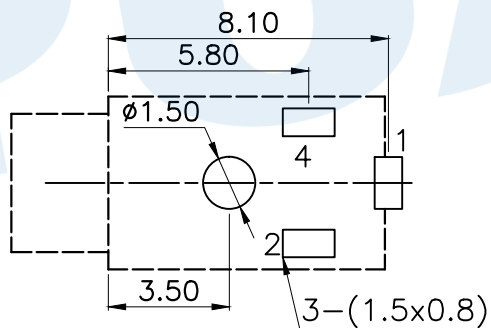
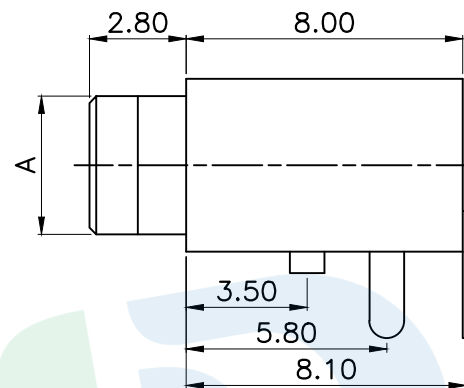
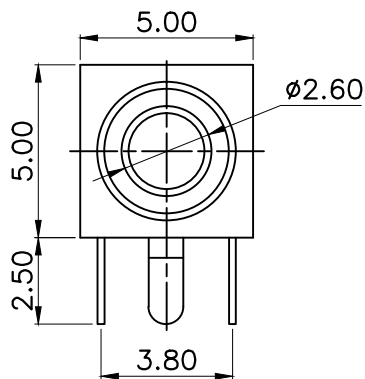


RoHS



P.C.B Layout (copper-sided view)

Model NO	A=φ4	PJ-2100
	A=φ5	PJ-2100A
Schematic		

Rating:0.5A 30V DC  
 Contact Resistance:100 mΩ Max.  
 Operating temperature:-20 ~70  
 Operating force:3-20N  
 Operating Life:5,000cycles

Ⓑ	Terminal		3	Phosphor bronze	Ag Plating
Ⓐ	Housing		1	Nylon	Black
NO.	Name	Number	Qty	Materil	Remarks
Yuandi Electronics Co, Ltd					

design	date	name	PHONE JACKES
Review	date	model	PJ-2100
Approved	date		
Drawing number:			

angle	±2'	modify Review Approved Tolerance not specified Proportion 1:1 unit mm gape number A4
10~30	±0.30	
5~10	±0.20	
~ 5	±0.10	