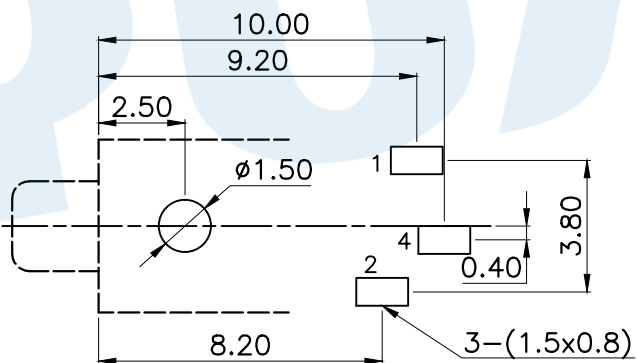
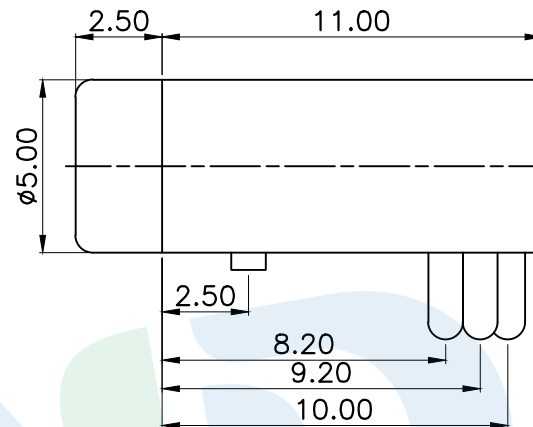
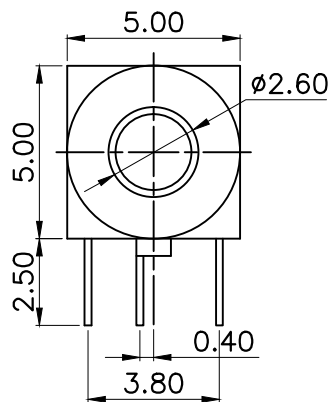
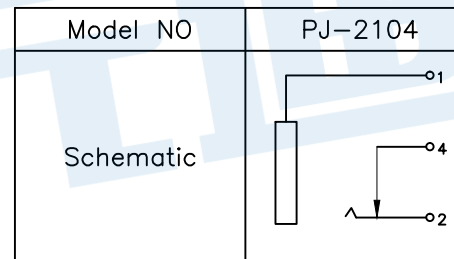


RoHS



P.C.B Layout (copper-sided view)

Rating:0.5A 30V DC  
 Contact Resistance:100 mΩ Max.  
 Operating temperature:-20 ~70  
 Operating force:3~20N  
 Operating Life:5,000cycles



②	Terminal		3	Phosphor bronze	Ag Plating
①	Housing		1	Nylon	Black
NO.	Name	Number	Qty	Materil	Remarks
<b>YUANDI® Yuandi Electronics Co, Ltd</b>					

design	date	name	PHONE JACKES
Review	date	model	PJ-2104
Approved	date		
Drawing number:			

angle	±2'
10~30	±0.30
5~10	±0.20
~ 5	±0.10