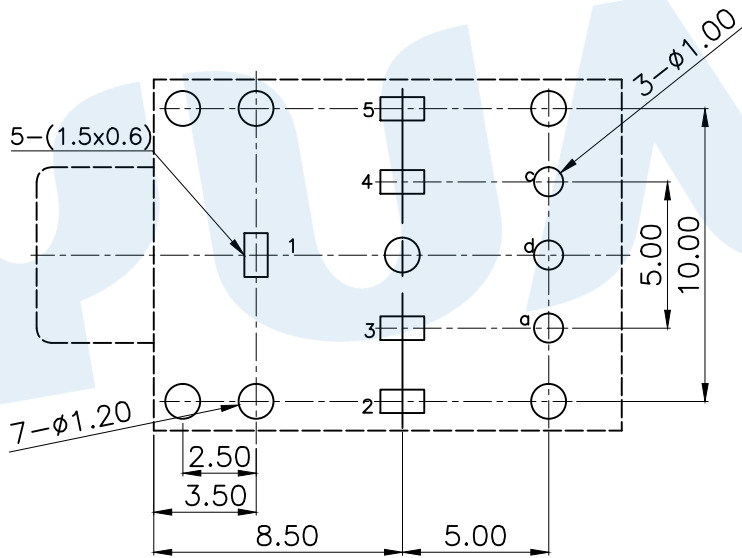
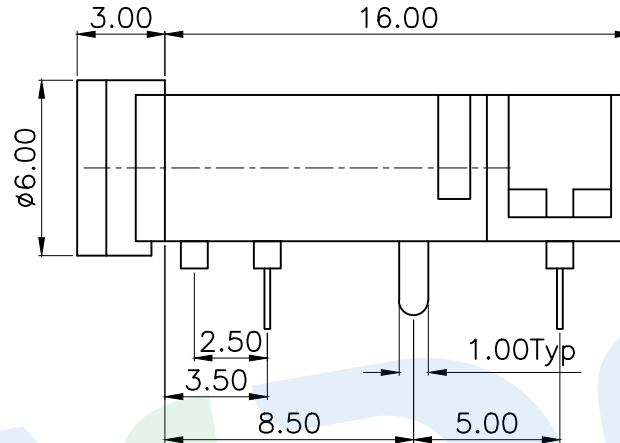
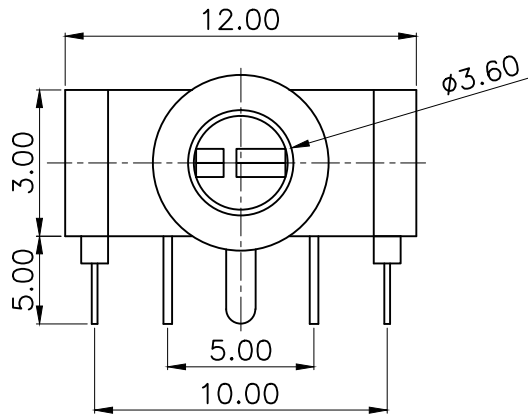


RoHS



P.C.B Layout (copper-sided view)

P/N	PJ-3123-A	PJ-3123-B
	PJ-3123A-A	PJ-3123A-B
Schematic		
P/N	PJ-3123-C	PJ-3123-D
	PJ-3123A-C	PJ-3123A-D
Schematic		

Rating:0.5A 30V DC
 Contact Resistance:100 mΩ Max.
 Operating temperature:-20 ~70
 Operating force:3-20N
 Operating Life:5,000cycles

Ⓑ	Terminal		8	Phosphor bronze	Ag Plating
Ⓐ	Housing		1	Nylon	Black
NO.	Name	Number	Qty	Materil	Remarks
YUANDI® Yuandi Electronics Co, Ltd					
design	date	name		PHONE JACKES	
Review	date	name		PJ-3123	
Approved	date	name			
Drawing number:					
modify	Review	Approved	Tolerance not specified	Proportion	1:1 unit mm gage number