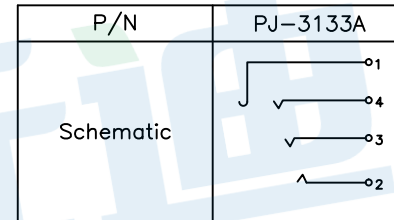
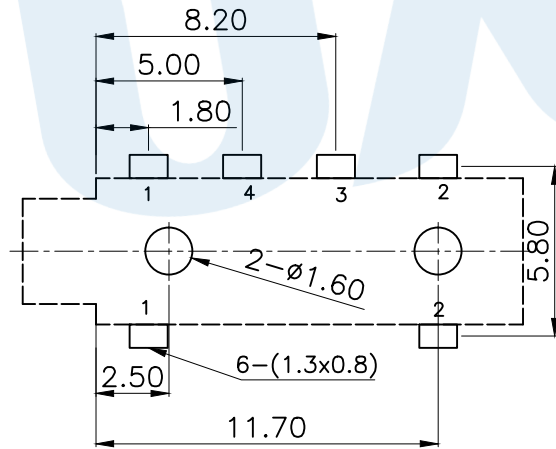
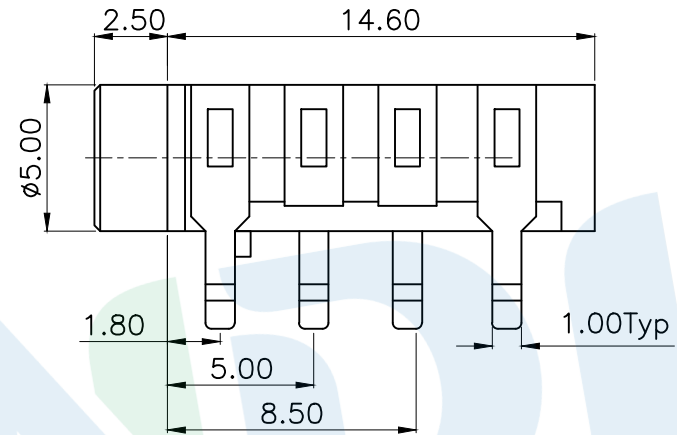
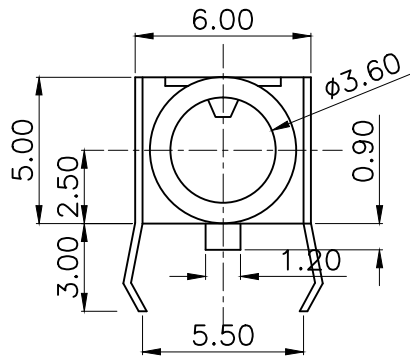


RoHS



P.C.B Layout (copper-sided view)

Rating:0.5A 30V DC
 Contact Resistance:100 mΩ Max.
 Operating temperature:-20 ~70
 Operating force:3-20N
 Operating Life:5,000cycles

| | | | | | |
|---|----------|-------------|-------------------------|-----------------|------------|
| Ⓑ | Terminal | | 6 | Phosphor bronze | Ag Plating |
| Ⓐ | Housing | | 1 | Nylon | Black |
| NO. | Name | Number | Qty | Materil | Remarks |
| YUANDI® Yuandi Electronics Co, Ltd | | | | | |
| design | date | name | PHONE JACKES | | |
| Review | date | name | PJ-3133A | | |
| Approved | date | name | | | |
| Drawing number: | | | | | |
| modify | Review | Approved | Tolerance not specified | Proportion | 1:1 |
| unit | mm | gape number | A4 | | |