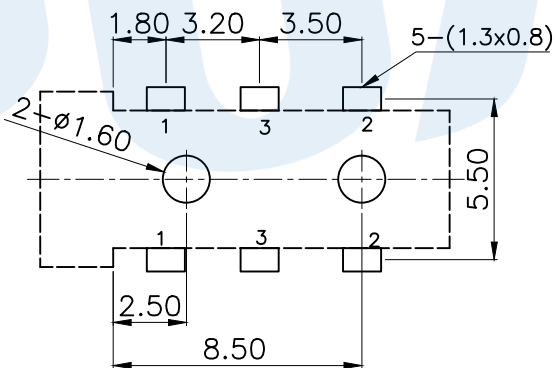
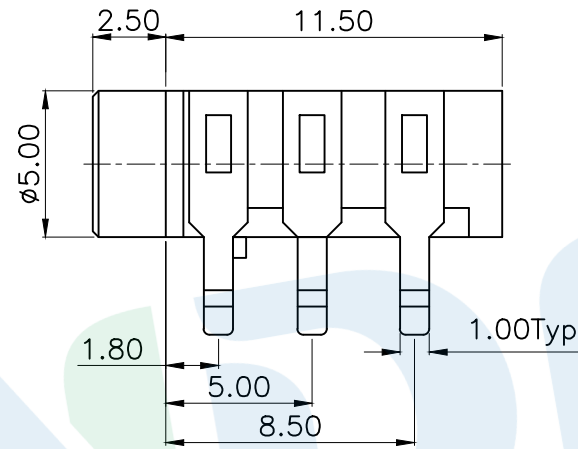
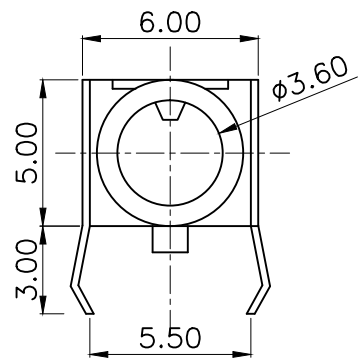


RoHS



P/N	PJ-3133B
Schematic	

P.C.B Layout (copper-sided view)

Rating:0.5A 30V DC
 Contact Resistance:100 mΩ Max.
 Operating temperature:-20 ~70
 Operating force:3-20N
 Operating Life:5,000cycles

Terminal		6	Phosphor bronze	Ag Plating	
Housing		1	Nylon	Black	
NO.	Name	Number	Qty	Materil	Remarks
YUANDI® Yuandi Electronics Co, Ltd					
design		date		name	PHONE JACKES
Review		date		name	PJ-3133B
Approved		date		name	
Drawing number:					
modify	Review	Approved	Tolerance not specified	Proportion	1:1
unit	mm	gape number	A4		