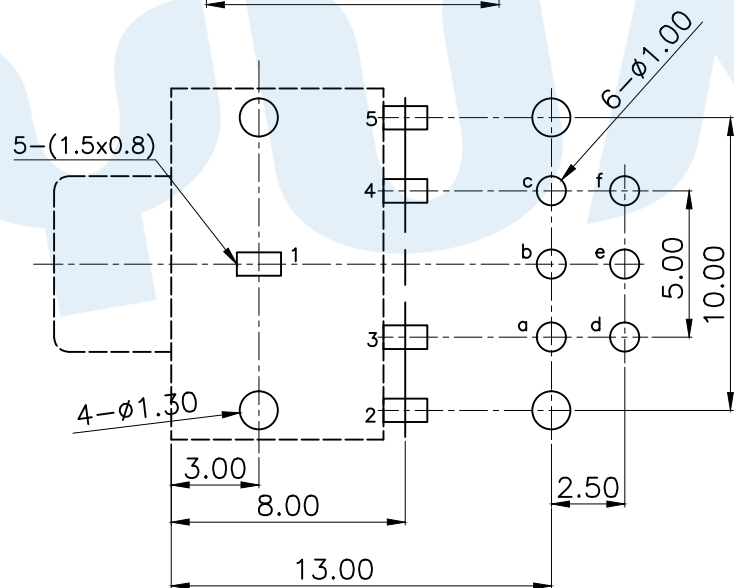
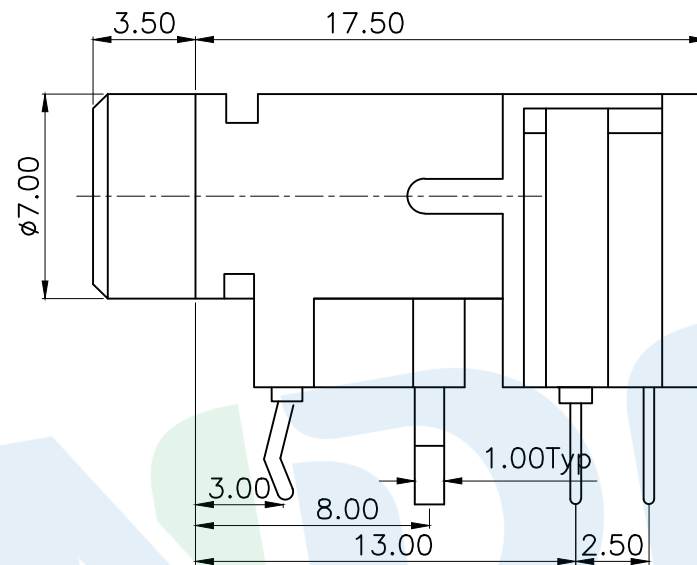
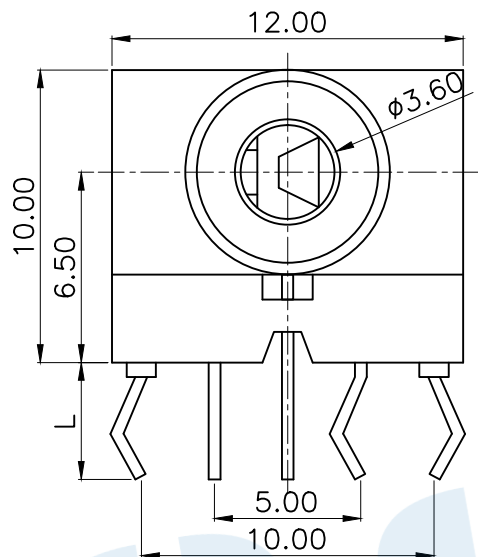


RoHS



P.C.B Layout (copper-sided view)

Rating:0.5A 30V DC
 Contact Resistance:100 mΩ Max.
 Operating temperature:-20 ~70
 Operating force:3-20N
 Operating Life:5,000cycles

L=2.5	PJ-3137A-A	PJ-3137A-B
L=4	PJ-3137B-A	PJ-3137B-B
Schematic		
L=2.5	PJ-3137A-C	PJ-3137A-D
L=4	PJ-3137B-C	PJ-3137B-D
Schematic		

Ⓑ	Terminal		11	Phosphor bronze	Au Plating
Ⓐ	Housing		1	Nylon	Black
NO.	Name	Number	Qty	Materil	Remarks
YUANDI® Yuandi Electronics Co, Ltd					

design	date	name	PHONE JACKES
Review	date	name	
Approved	date	name	PJ-3137A

Drawing number: Proportion 1:1 unit mm gage number A4

modify Review Approved Tolerance not specified