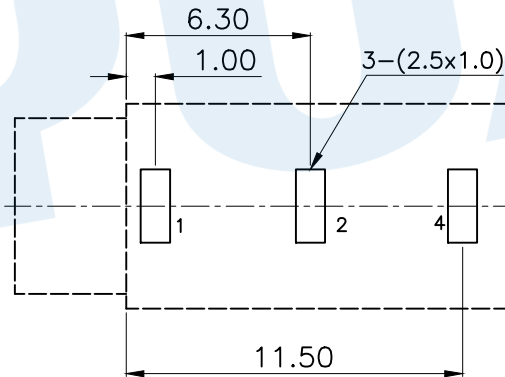
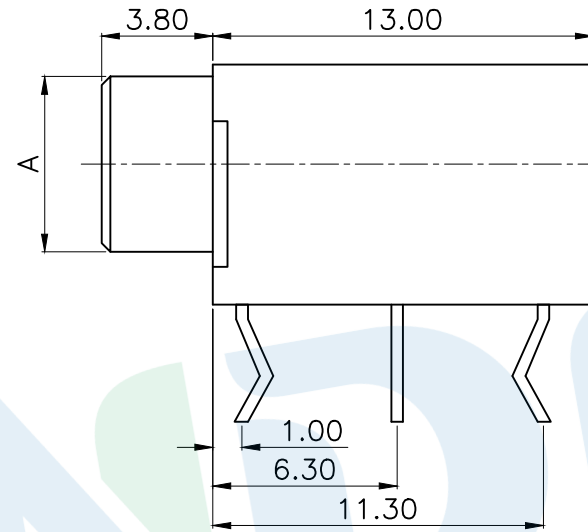
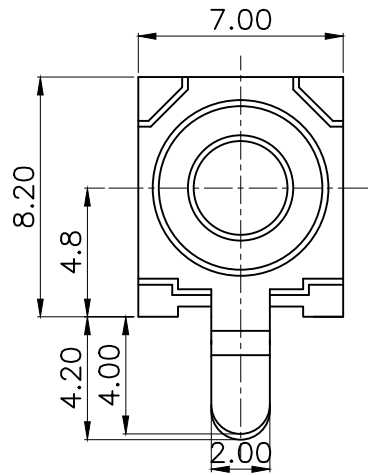


RoHS



Model NO	A=∅6	PJ-3136
	A=∅6	PJ-3136A
	A=M6xP0.5	PJ-3136B
Schematic		

P.C.B Layout (copper-sided view)

Rating:0.5A 30V DC  
 Contact Resistance:100 mΩ Max.  
 Operating temperature:-20 ~70  
 Operating force:3-20N  
 Operating Life:5,000cycles

Ⓑ	Terminal		3	Phosphor bronze	Ag Plating
Ⓐ	Housing		1	Nylon	Black
NO.	Name	Number	Qty	Materil	Remarks

**YUANDI**® Yuandi Electronics Co, Ltd

design	date	name	PHONE JACKES
Review	date	name	
Approved	date	name	PJ-3136

Drawing number:	Proportion	1:1	unit	mm	gape number	A4
-----------------	------------	-----	------	----	-------------	----

modify Review Approved Tolerance not specified