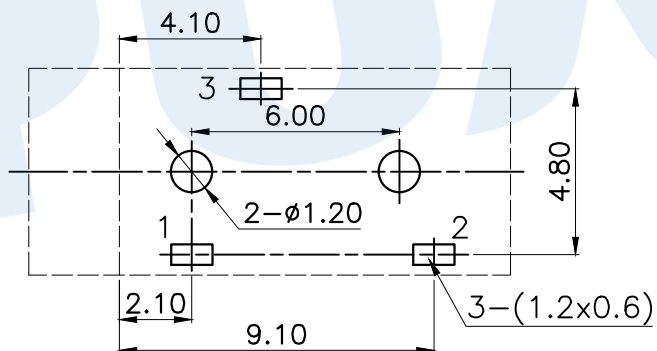
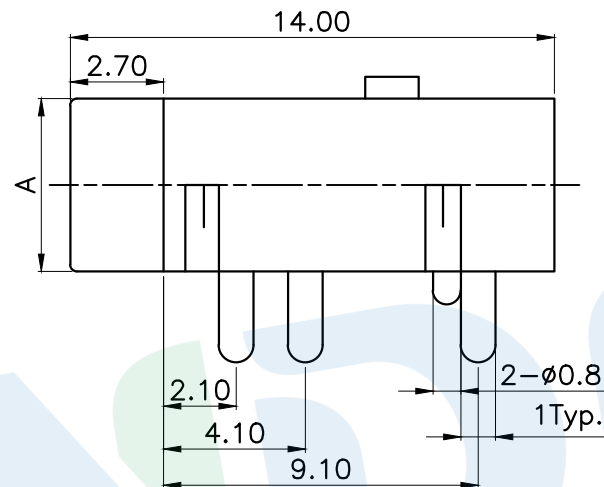
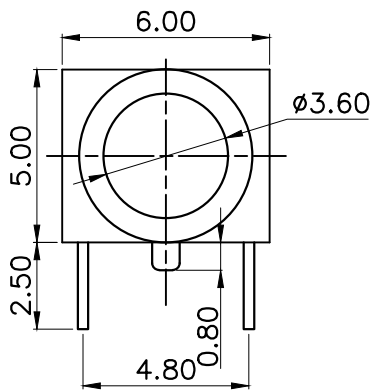


RoHS



P.C.B Layout (copper-sided view)

A=φ5.0	1
A=φ5.6	2
A=φ6.0	3
Schematic	

Rating:0.5A 30V DC
 Contact Resistance:100 mΩ Max.
 Operating temperature:-20 ~70
 Operating force:3~20N
 Operating Life:5,000cycles

Ⓑ	Terminal		3	Phosphor bronze	Ag Plating
Ⓐ	Housing		1	Nylon	Black
NO.	Name	Number	Qty	Materil	Remarks
YUANDI® Yuandi Electronics Co, Ltd					

design	date	name	PHONE JACKES
Review	date	model	PJ-3200
Approved	date	Drawing number:	

angle	±2'	Tolerance not specified	Proportion	1:1	unit	mm	gape number	A4
10~30	±0.30							
5~10	±0.20							
~ 5	±0.10							
modify	Review	Approved						