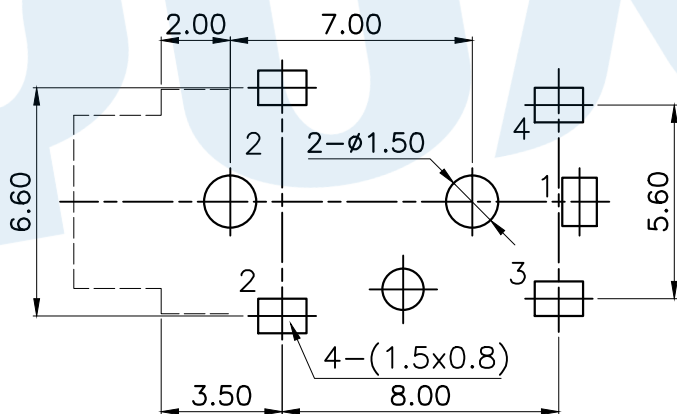
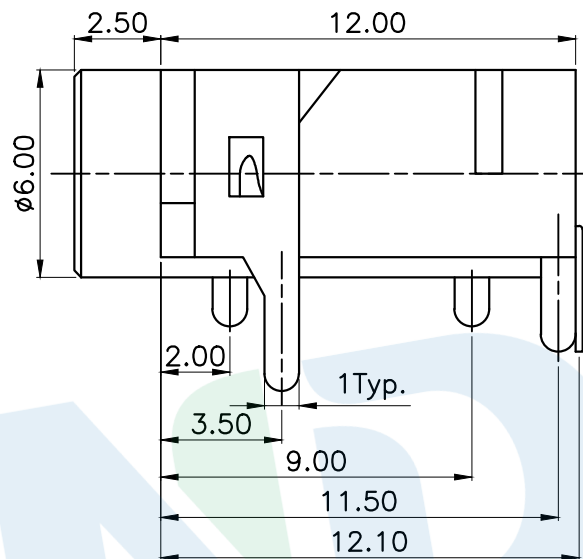
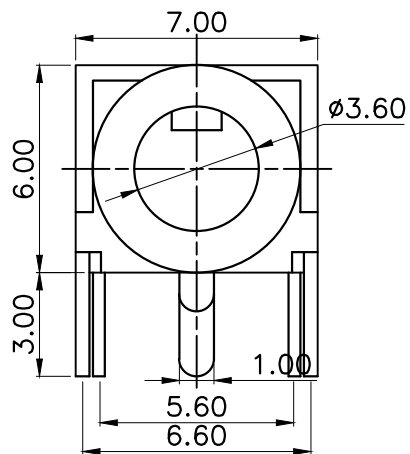


RoHS



P.C.B Layout (copper-sided view)

Model No.	PJ-3210B-A	PJ-3210B-B
Schematic		

Rating:0.5A 30V DC  
 Contact Resistance:100 mΩ Max.  
 Operating temperature:-20 ~70  
 Operating force:3-20N  
 Operating Life:5,000cycles

NO.	Name	Number	Qty	Materil	Remarks
Ⓑ	Terminal		5	Phosphor bronze	Ag Plating
Ⓐ	Housing		1	Nylon	Black

YUANDI® Yuandi Electronics Co, Ltd

design	date	name	PHONE JACKES
Review	date	model	PJ-3210B
Approved	date		

angle	±2'	Proportion	1:1	unit	mm	gape number	A4
10~30	±0.30	Tolerance not specified					
5~10	±0.20						
~ 5	±0.10						

modify Review Approved Tolerance not specified Proportion 1:1 unit mm gape number A4