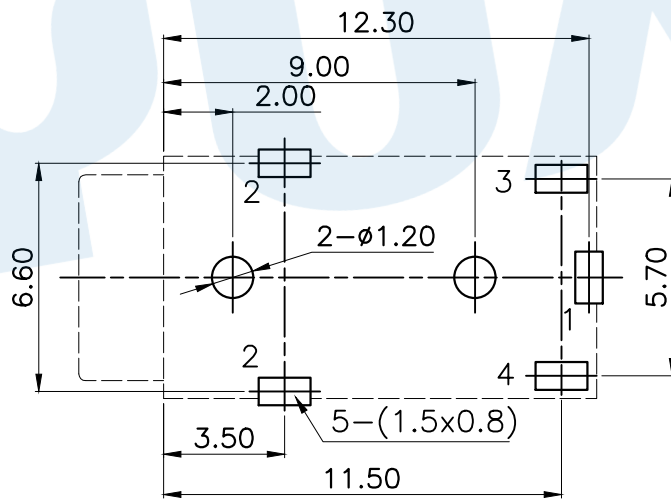
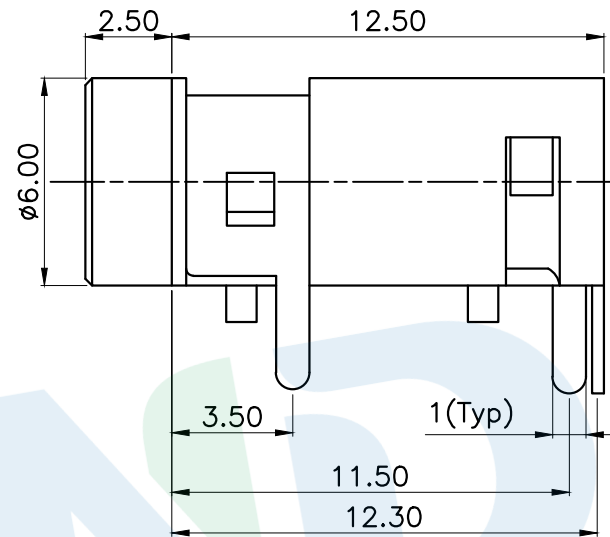
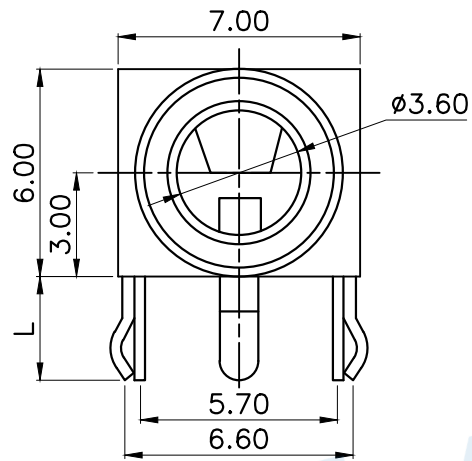


RoHS



P.C.B Layout (copper-sided view)

Rating:0.5A 30V DC
 Contact Resistance:100 mΩ Max.
 Operating temperature:-20 ~70
 Operating force:3-20N
 Operating Life:5,000cycles

Model No.	L=3.0	PJ-3220-A	PJ-3220-B
	L=6.5	PJ-3220-C	PJ-3220-D
Schematic			

Ⓑ	Terminal		5	Phosphor bronze	Ag Plating
Ⓐ	Housing		1	Nylon	Black
NO.	Name	Number	Qty	Materil	Remarks
YUANDI® Yuandi Electronics Co, Ltd					

design	date	name	PHONE JACKES
Review	date	model	PJ-3220
Approved	date		
Drawing number:			

angle	±2'
10~30	±0.30
5~10	±0.20
~ 5	±0.10