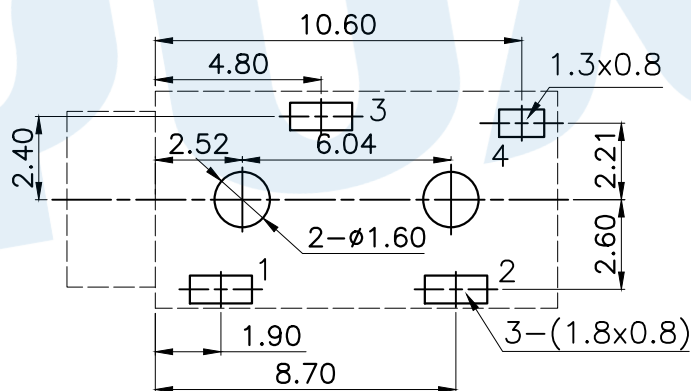
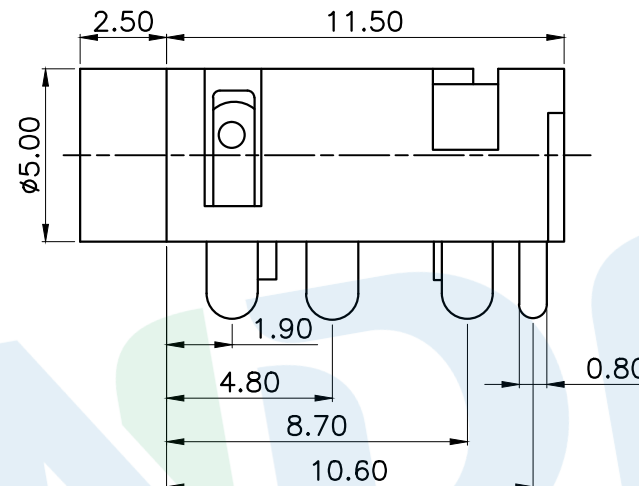
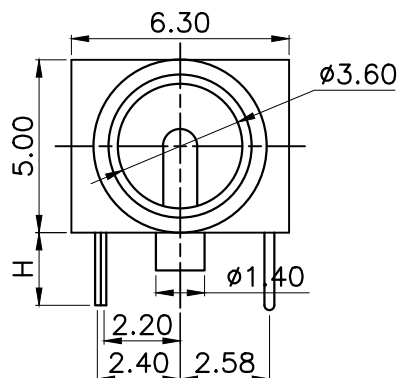


RoHS



P.C.B LAYOUT(copper-sided view)

H=0.9	PJ-3270-A	PJ-3270-B	PJ-3270-C
H=1.6	PJ-3270-D	PJ-3270-E	PJ-3270-F
H=2.1	PJ-3270-G	PJ-3270-H	PJ-3270-I
H=2.8	PJ-3270-J	PJ-3270-K	PJ-3270-L
Schematic			

Rating:0.5A 30V DC
 Contact Resistance:100 mΩ Max.
 Operating temperature:-20 ~70
 Operating force:3-20N
 Operating Life:5,000cycles

Ⓑ	Terminal		5	Phosphor bronze	Ag Plating
Ⓐ	Housing		1	Nylon	Black
NO.	Name	Number	Qty	Materil	Remarks
YUANDI® Yuandi Electronics Co, Ltd					

design	date	name	PHONE JACKES
Review	date	model	PJ-3270
Approved	date		
Drawing number:			
modify	Review	Approved	Tolerance not specified
Proportion	1:1	unit	mm
gape number	A4		