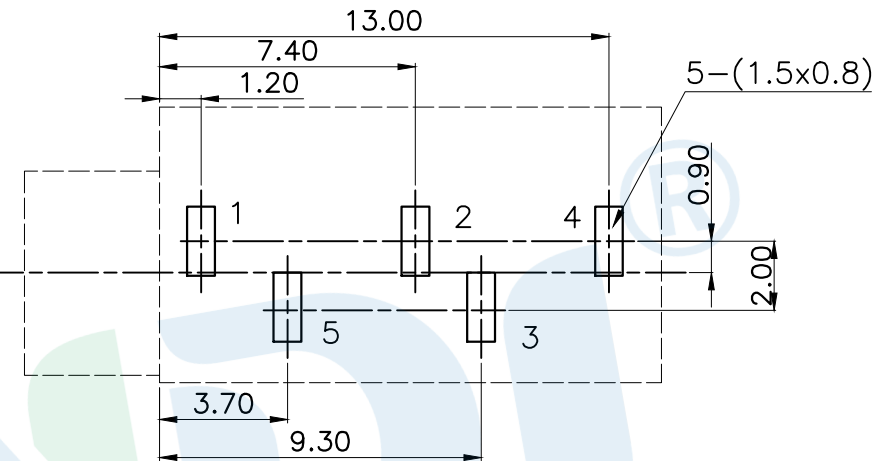
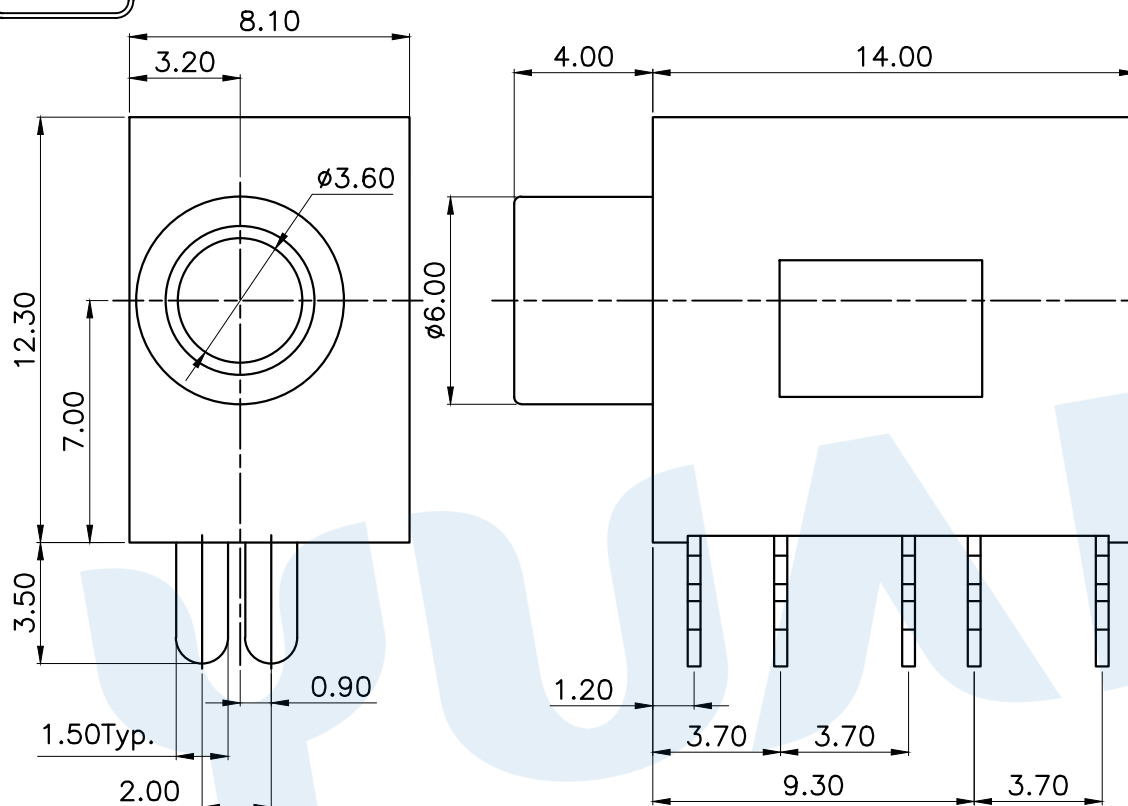


RoHS



P.C.B LAYOUT(copper-sided view)

Model No.	PJ-3250-A	PJ-3250-B	PJ-3250-C	PJ-3250-D
	PJ-3250A-A	PJ-3250A-B	PJ-3250A-C	PJ-3250A-D
	PJ-3250B-A	PJ-3250B-B	PJ-3250B-C	PJ-3250B-D
	PJ-3250C-A	PJ-3250C-B	PJ-3250C-C	PJ-3250C-D
	PJ-3250D-A	PJ-3250D-B	PJ-3250D-C	PJ-3250D-D
PJ-3250E-A	PJ-3250E-B	PJ-3250E-C	PJ-3250E-D	
Schematic				

Rating:0.5A 30V DC
 Contact Resistance:100 mΩ Max.
 Operating temperature:-20 ~70
 Operating force:3-20N
 Operating Life:5,000cycles

Ⓑ	Terminal		5	Phosphor bronze	Ag Plating
Ⓐ	Housing		1	Nylon	Black
NO.	Name	Number	Qty	Materil	Remarks
YUANDI® Yuandi Electronics Co, Ltd					

design	date	name	PHONE JACKES
Review	date	model	PJ-3250
Approved	date		

Drawing number:
 angle ±2'
 10~30 ±0.30
 5~10 ±0.20
 ~ 5 ±0.10
 Tolerance not specified
 Proportion 1:1
 unit mm
 gage number
 A4

modify Review Approved