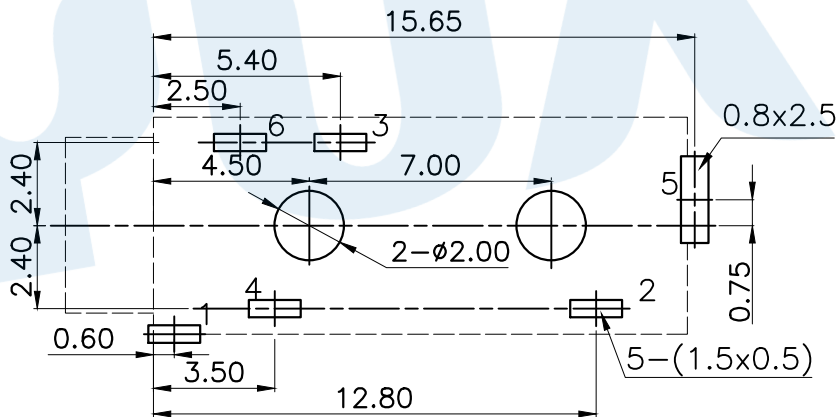
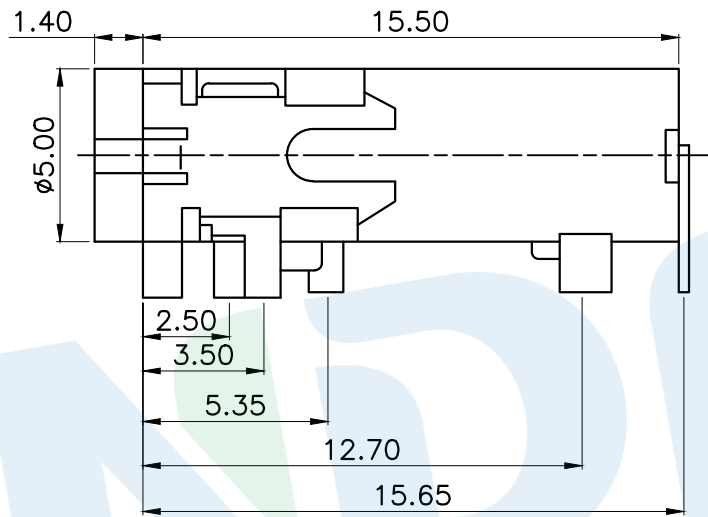
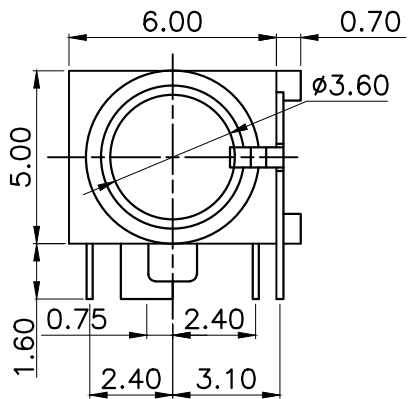


RoHS



P.C.B LAYOUT(copper-sided view)

Model No.	PJ-3280C-A	PJ-3280C-B	PJ-3280C-C
Schematic			

Model No.	PJ-3280C-D	PJ-3280C-E	PJ-3280C-F
Schematic			

Rating:0.5A 30V DC
 Contact Resistance:100 mΩ Max.
 Operating temperature:-20 ~70
 Operating force:3-20N
 Operating Life:5,000cycles

NO.	Name	Number	Qty	Materil	Remarks
⑥	Terminal		6	Phosphor bronze	Ag Plating
①	Housing		1	Nylon	Black

YUANDI® Yuandi Electronics Co, Ltd

design	date	name	PHONE JACKES
Review	date	model	PJ-3280C
Approved	date		
Drawing number:			
angle	±2'		
10~30	±0.30		
5~10	±0.20		
~ 5	±0.10		
modify	Review	Approved	Tolerance not specified
Proportion	1:1	unit	mm
gape number	A4		