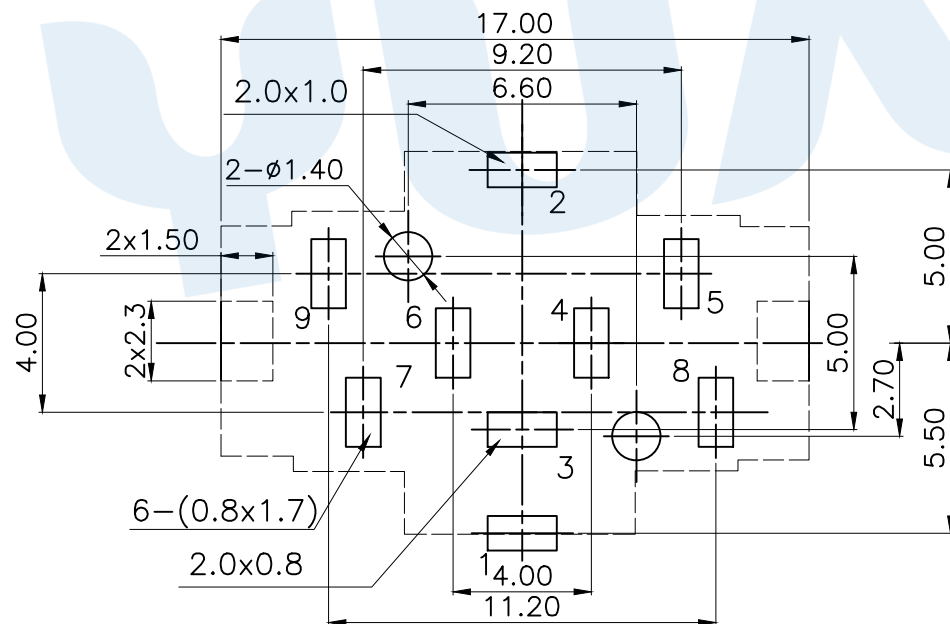
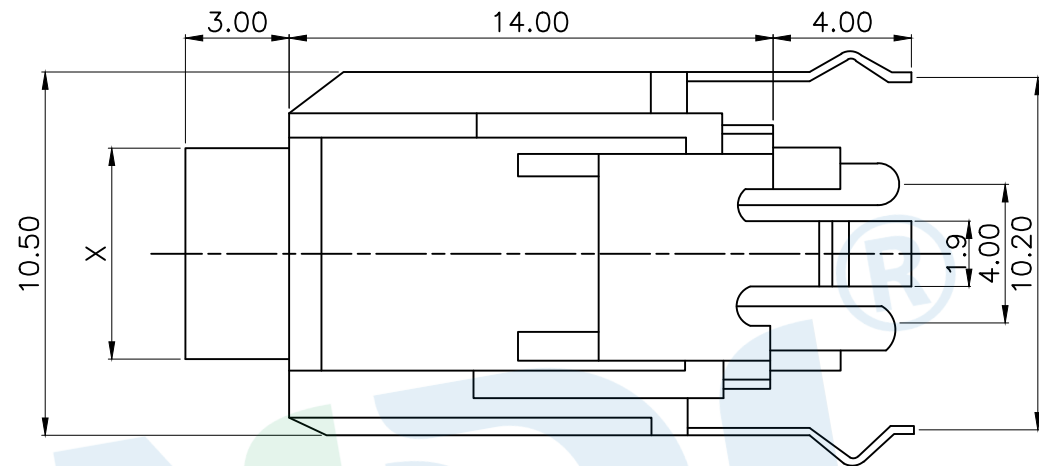
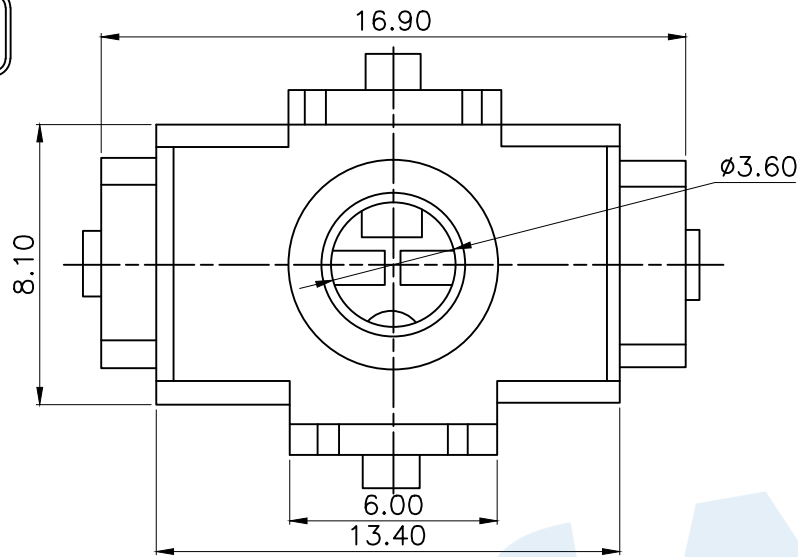


RoHS



P.C.B LAYOUT(copper-sided view)

Rating:0.5A 30V DC
 Contact Resistance:100 mΩ Max.
 Operating temperature:-20 ~70
 Operating force:3-20N
 Operating Life:5,000cycles

NO.	Name	Number	Qty	Materil	Remarks
②	Terminal		9	Phosphor bronze	Ag Plating
①	Housing		1	Nylon	Black

YUANDI® Yuandi Electronics Co, Ltd

design	date	name	PHONE JACKES
Review	date	model	PJ-3330E
Approved	date		

angle	±2'	Design number:	
10~30	±0.30	Proportion	1:1
5~10	±0.20	unit	mm
~ 5	±0.10	mm	gap number
modify	Review	Approved	Tolerance not specified