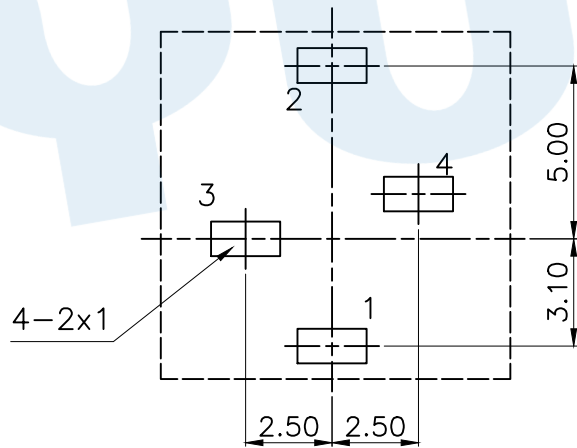
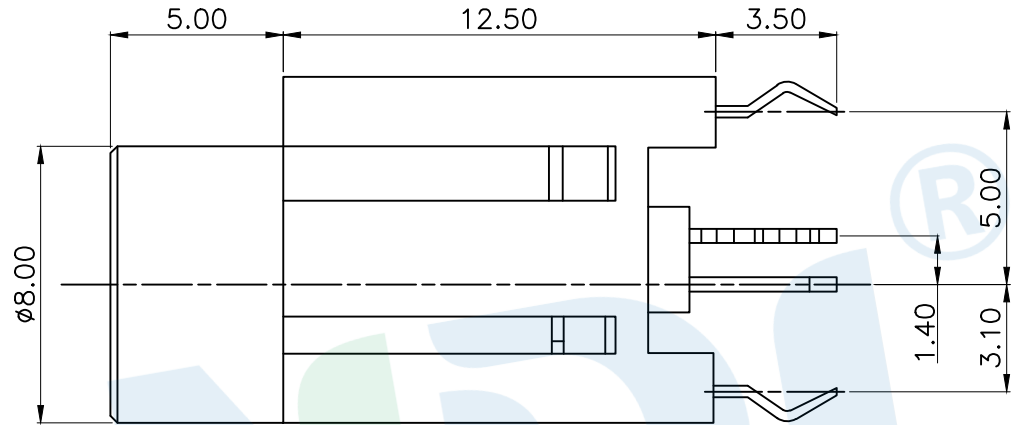
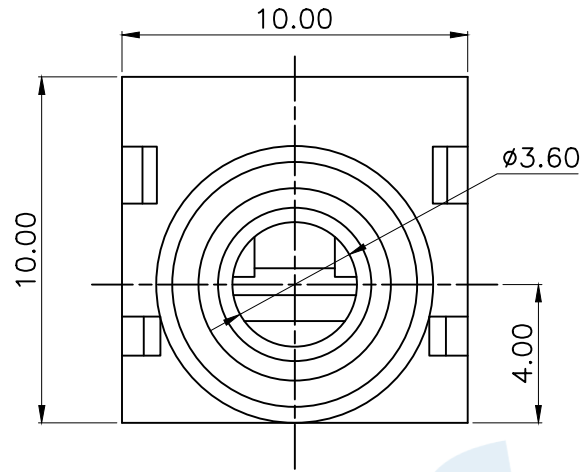


RoHS



P.C.B LAYOUT(copper-sided view)

Model No.	PJ-3420-A	PJ-3420-B	PJ-3420-C
	PJ-3420A-A	PJ-3420A-B	PJ-3420A-C
Schematic			

Rating:0.5A 30V DC
 Contact Resistance:100 mΩ Max.
 Operating temperature:-20 ~70
 Operating force:3-20N
 Operating Life:5,000cycles

Ⓑ	Terminal		4	Phosphor bronze	Ag Plating
Ⓐ	Housing		1	Nylon	Black
NO.	Name	Number	Qty	Materil	Remarks
YUANDI® Yuandi Electronics Co, Ltd					

design	date	name	PHONE JACKES
Review	date	model	PJ-3420
Approved	date		

Drawing number: Proportion 1:1 unit mm gage number A4

modify Review Approved Tolerance not specified