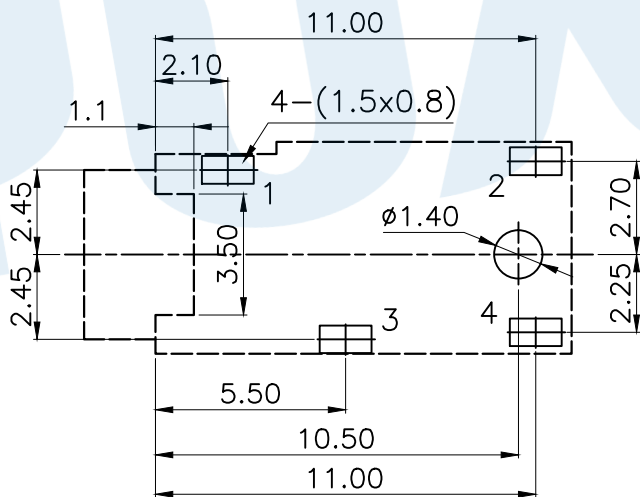
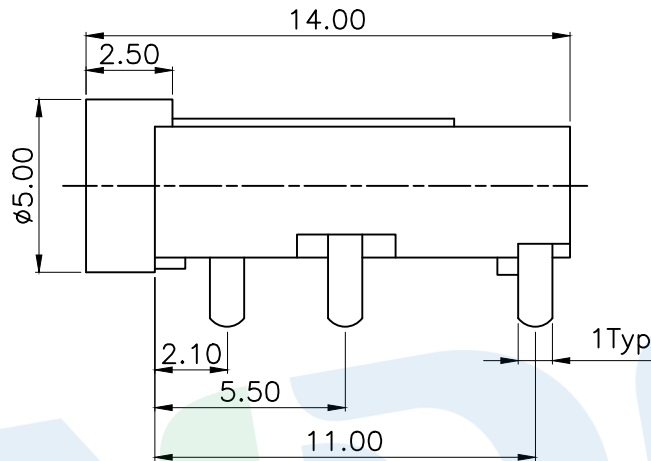
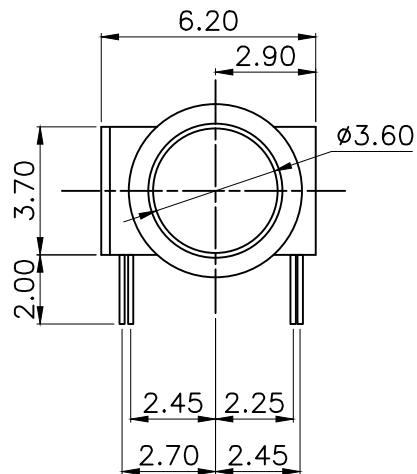


RoHS



| Model No. | PJ-3810-A | PJ-3810-B |
|-----------|-----------|-----------|
| Schematic | | |

P.C.B LAYOUT(copper-sided view)

Rating:0.5A 30V DC
 Contact Resistance:100 mΩ Max.
 Operating temperature:-20 ~70
 Operating force:3-20N
 Operating Life:5,000cycles

| NO. | Name | Number | Qty | Materil | Remarks |
|-----|----------|--------|-----|-----------------|------------|
| ① | Terminal | | 4 | Phosphor bronze | Ag Plating |
| ② | Housing | | 1 | Nylon | Black |

YUANDI® Yuandi Electronics Co, Ltd

| | | | |
|----------|------|-------|--------------|
| design | date | name | PHONE JACKES |
| Review | date | model | PJ-3810 |
| Approved | date | | |

Drawing number: A4