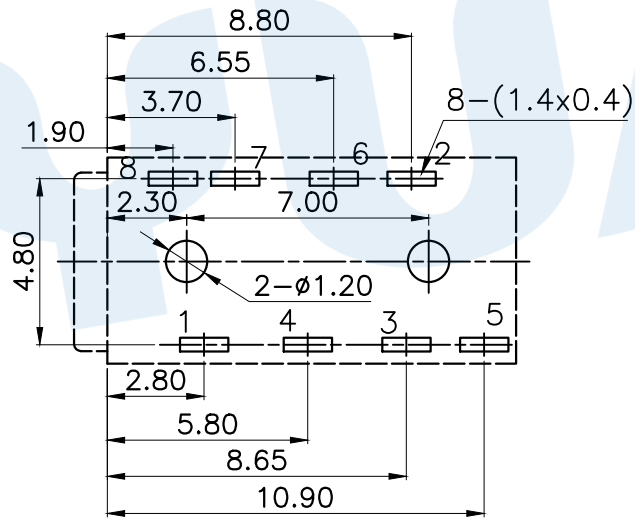
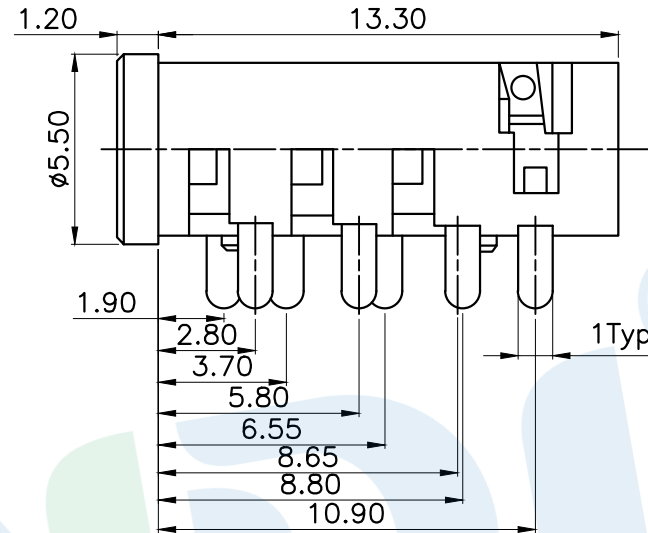
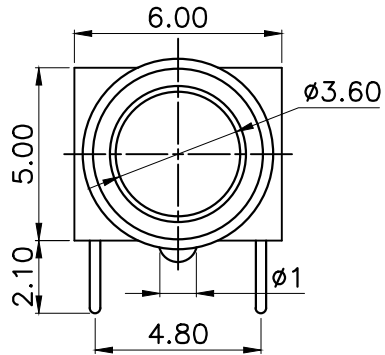


RoHS



P.C.B LAYOUT(copper-sided view)

Model No.	PJ-3930-A	PJ-3930-B	PJ-3930-C	PJ-3930-D	PJ-3930-E
Schematic					

Rating:0.5A 30V DC
 Contact Resistance:100 mΩ Max.
 Operating temperature:-20 ~70
 Operating force:3-20N
 Operating Life:5,000cycles

NO.	Name	Number	Qty	Materil	Remarks
Ⓑ	Terminal		8	Phosphor bronze	Ag Plating
Ⓐ	Housing		1	Nylon	Black

YUANDI® Yuandi Electronics Co, Ltd
 元典

design	date	name	PHONE JACKES
Review	date	model	PJ-3930
Approved	date		

Drawing number: Proportion 1:1 unit mm gage number A4

modify Review Approved Tolerance not specified