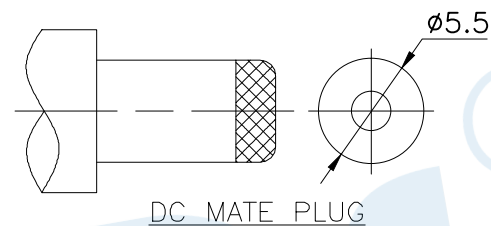
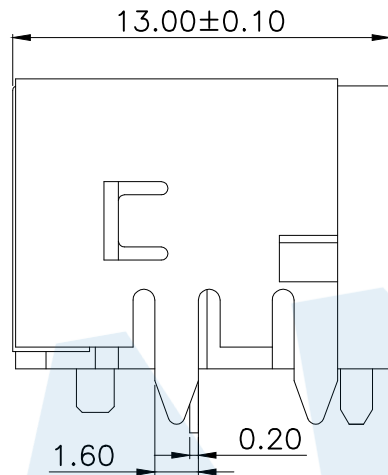
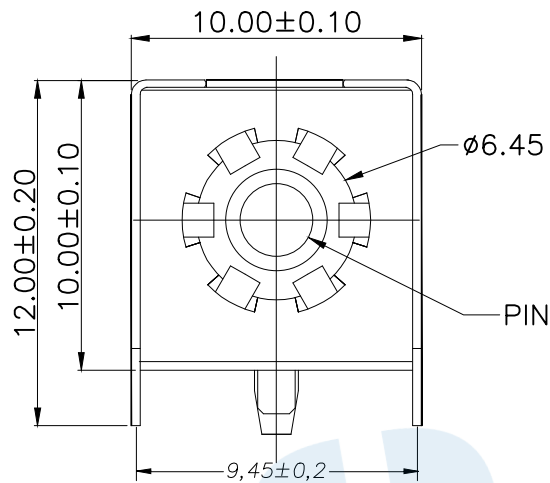
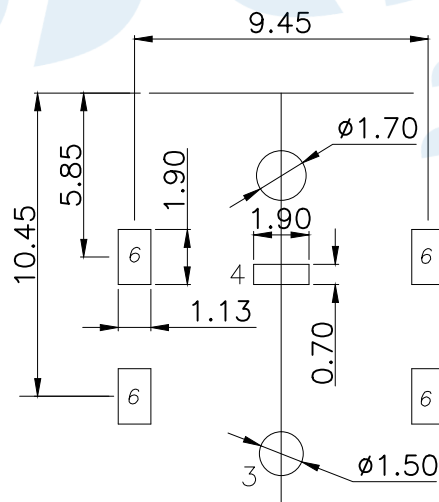
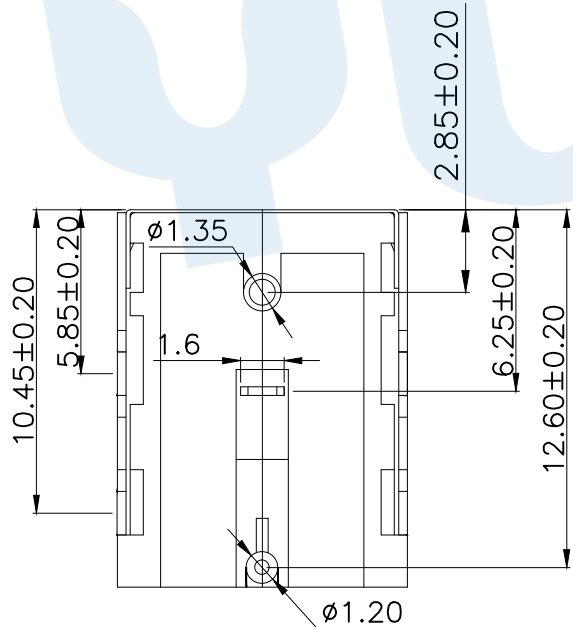
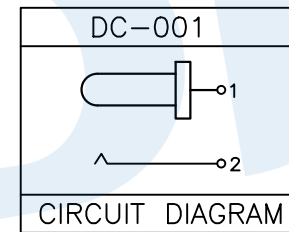


RoHS



DC MATE PLUG



P.C.B LAYOUT(Copper-side view)

Model No.	1	2
PIN	φ2.0	φ2.50

Rating:3.0A 30V DC
 Contact Resistance:100 mΩ Max.
 Operating temperature:-20 ~70
 Operating force:3-20N
 Operating Life:5,000cycles

⊙	Center Pin		1	Phosphor bronze	Copper Tin
⊙	Shrapnel		1	Steel/Copper	Copper Tin
⊙	Terminal		5	Phosphor bronze	Copper Tin
⊙	Housing		1	Nylon	Black
NO.	Name	Number	Qty	Materil	Remarks

YUANDI® Yuandi Electronics Co, Ltd

design	date	name	DC SOCKET
Review	date	model	DC-001
Approved	date		

Drawing number: Proportion 1:1 unit mm gage number A4

modify Review Approved Tolerance not specified

angle ±2'
 10~30 ±0.30
 5~10 ±0.20
 ~ 5 ±0.10