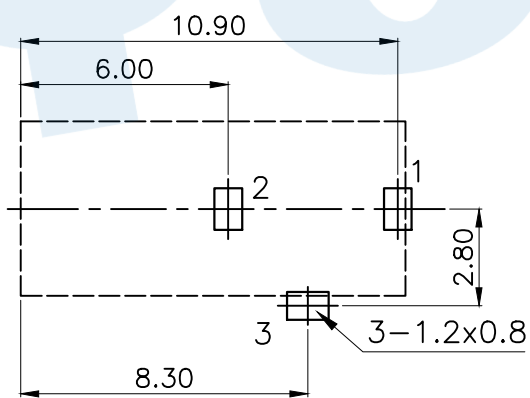
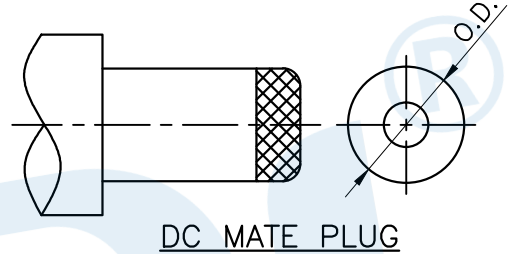
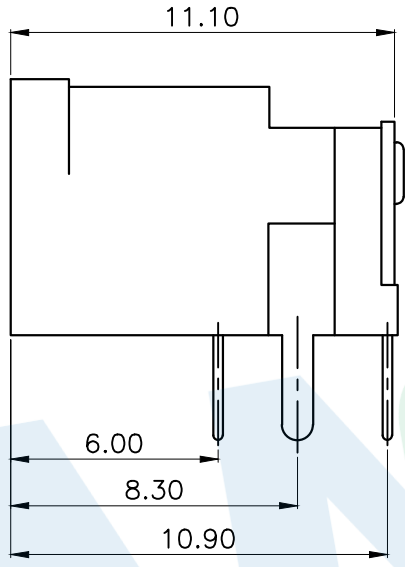
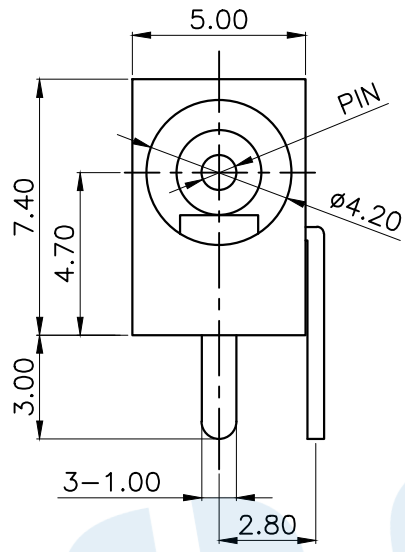
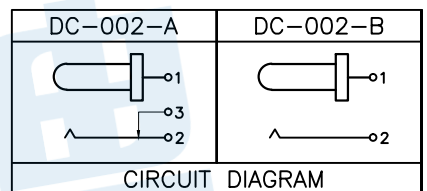


RoHS



P.C.B LAYOUT(Copper-side view)



Model No.	1	2	3	4
PIN	∅0.65	∅1.0	∅1.3	∅1.65
DC PLUG O.D.	∅2.35	∅3.5	∅3.5	∅4.0

Rating:0.5A 30V DC  
 Contact Resistance:100 mΩ Max.  
 Operating temperature:-20 ~70  
 Operating force:3~20N  
 Operating Life:5,000cycles

Ⓓ	Center pin		1	Phosphor bronze	Copper Tin
Ⓒ	Shrapnel		1	Steel/Copper	Copper Tin
Ⓑ	Terminal		3	Phosphor bronze	Copper Tin
Ⓐ	Housing		1	Nylon	Black
NO.	Name	Number	Qty	Materil	Remarks

**YUANDI**® Yuandi Electronics Co, Ltd

design	date	name	DC SOCKET
Review	date	model	DC-002
Approved	date		

Drawing number: Proportion 1:1 unit mm gage number A4

modify Review Approved Tolerance not specified