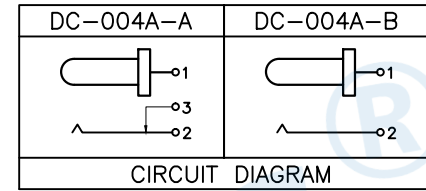
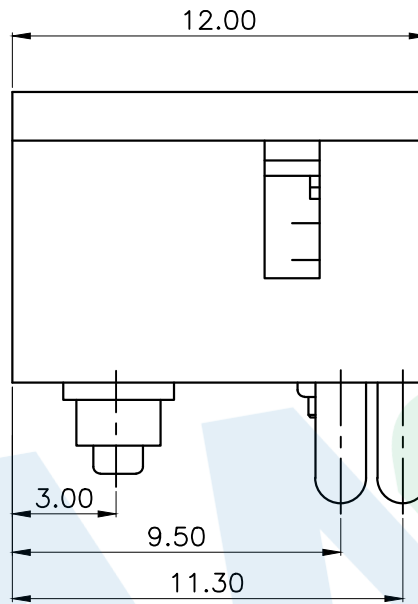
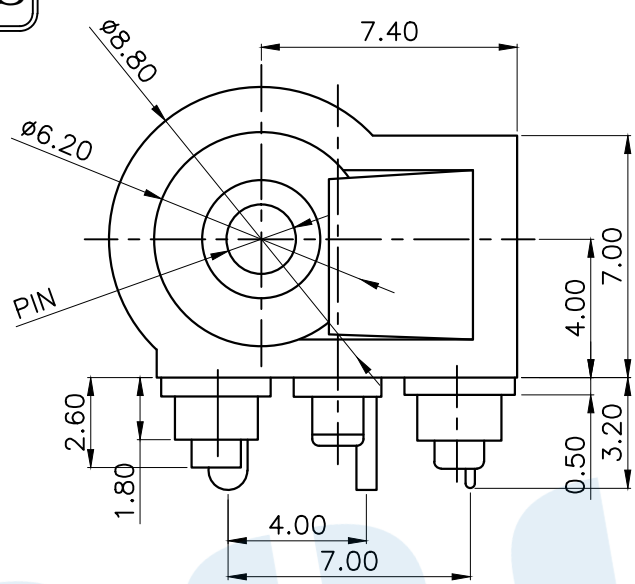
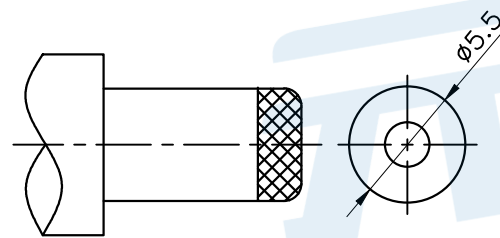
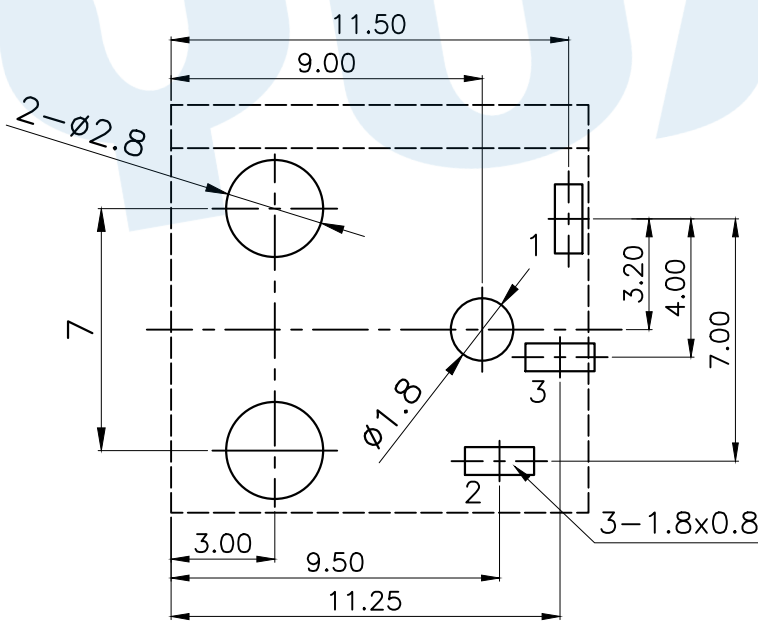


RoHS



Model No.	1	2
PIN	φ2.0	φ2.5



DC MATE PLUG

Rating:0.5A 30V DC
 Contact Resistance:100 mΩ Max.
 Operating temperature:-20 ~70
 Operating force:3-20N
 Operating Life:5,000cycles

①	Center Pin		1	Phosphor bronze	Copper Tin
②	Shrapnel		1	Steel/Copper	Copper Tin
③	Terminal		3	Phosphor bronze	Copper Tin
④	Housing		1	Nylon	Black
NO.	Name	Number	Qty	Materil	Remarks

YUANDI® Yuandi Electronics Co, Ltd

design	date	name	DC SOCKET
Review	date	model	DC-004A
Approved	date		

Drawing number: Proportion 1:1 unit mm gage number A4

P.C.B LAYOUT(Copper-side view)

									angle	±2'
									10~30	±0.30
									5~10	±0.20
									~ 5	±0.10
								modify	Review	Approved
									Tolerance not specified	Proportion