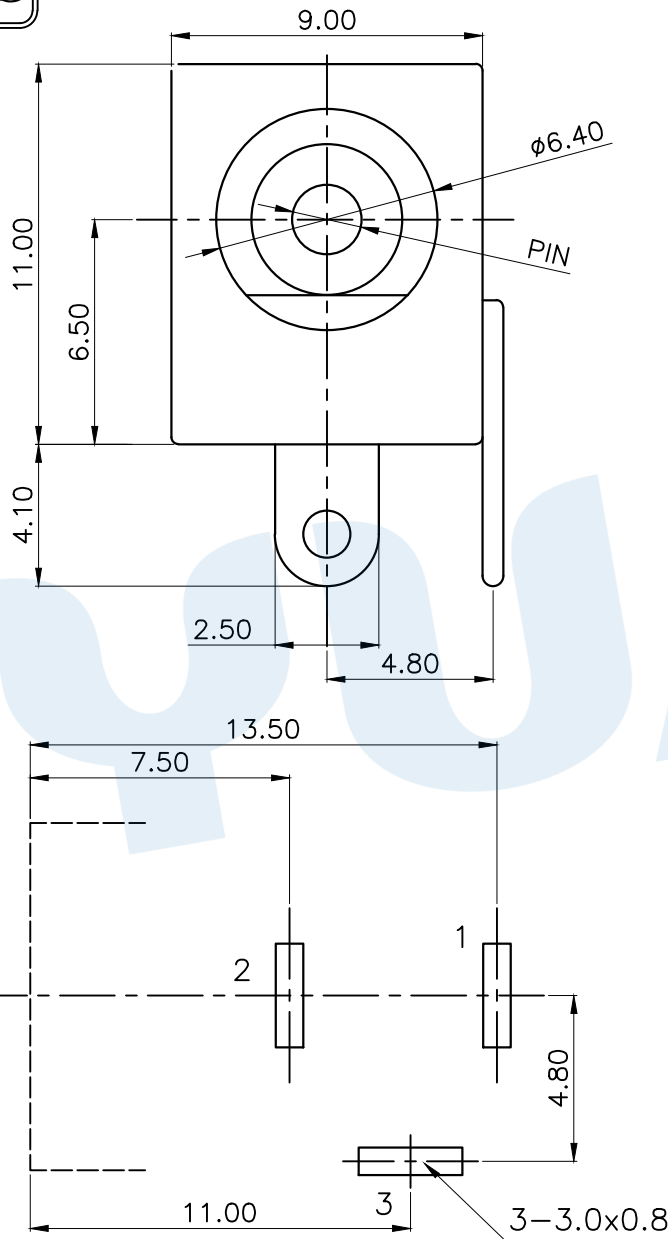
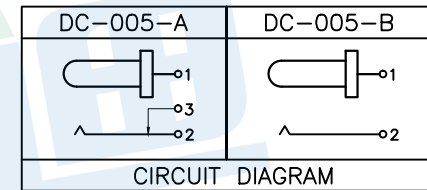
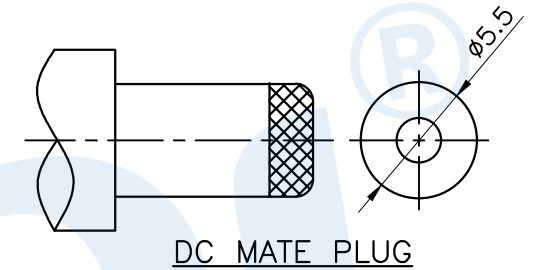
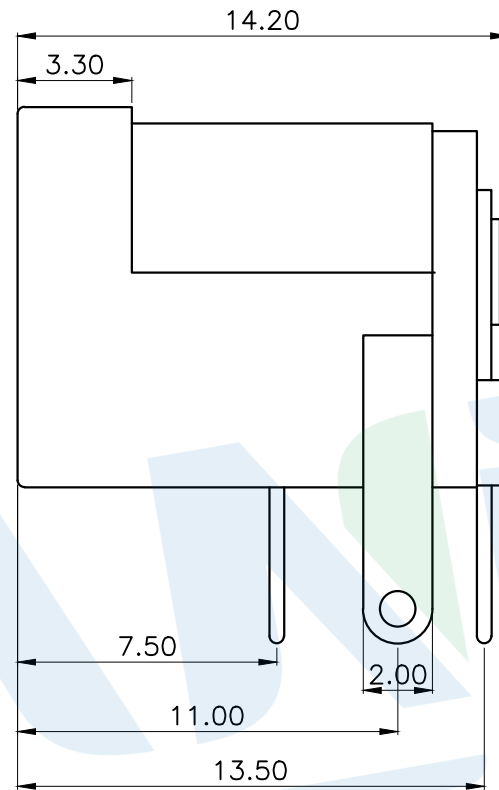


RoHS



P.C.B LAYOUT(Copper-side view)



Model No.	1	2	3
PIN	∅2.0	∅2.35	∅2.5

Rating:0.5A 30V DC
 Contact Resistance:100 mΩ Max.
 Operating temperature:-20 ~70
 Operating force:3-20N
 Operating Life:5,000cycles

Center Pin	1	Phosphor bronze	Copper Tin		
Shrapnel	1	Steel/Copper	Copper Tin		
Terminal	3	Phosphor bronze	Copper Tin		
Housing	1	Nylon	Black		
NO.	Name	Number	Qty	Materil	Remarks

YUANDI® Yuandi Electronics Co, Ltd

design	date	name	DC SOCKET
Review	date	model	DC-005
Approved	date		

Drawing number:	Proportion	1:1	unit	mm	gape number	A4
-----------------	------------	-----	------	----	-------------	----

modify Review Approved Tolerance not specified