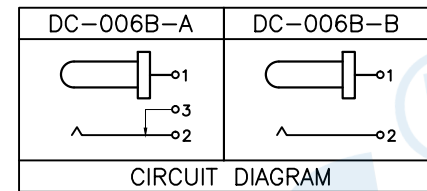
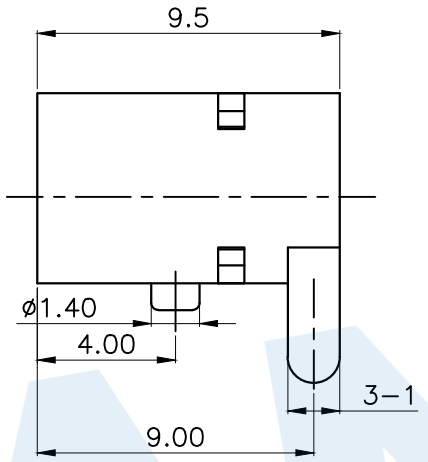
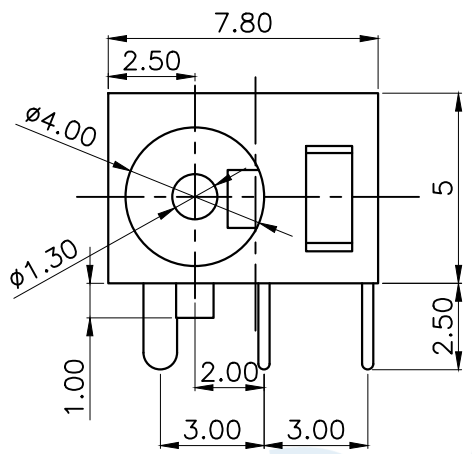
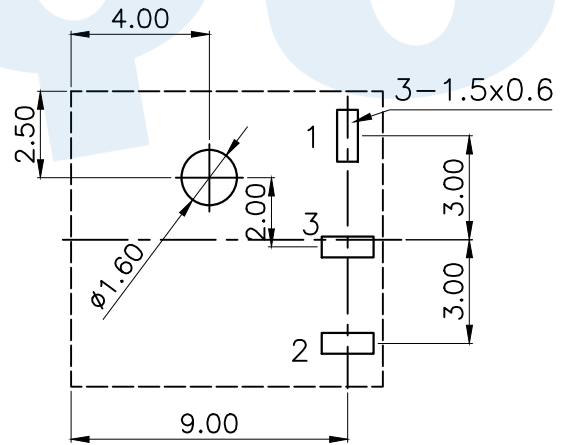


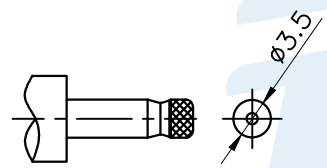
RoHS



Model No.	1	2
PIN	∅1.0	∅1.3



P.C.B LAYOUT(Copper-side view)



DC MATE PLUG

Rating:0.5A 30V DC  
 Contact Resistance:100 mΩ Max.  
 Operating temperature:-20 ~70  
 Operating force:3-20N  
 Operating Life:5,000cycles

Ⓧ	Center Pin		1	Phosphor bronze	Copper Tin
Ⓞ	Shrapnel		1	Steel/Copper	Copper Tin
Ⓑ	Terminal		3	Phosphor bronze	Copper Tin
Ⓐ	Housing		1	Nylon	Black
NO.	Name	Number	Qty	Materil	Remarks

**YUANDI**® Yuandi Electronics Co, Ltd

design	date	name	DC SOCKET
Review	date	model	DC-006B
Approved	date		

angle	±2'
10~30	±0.30
5~10	±0.20
~ 5	±0.10