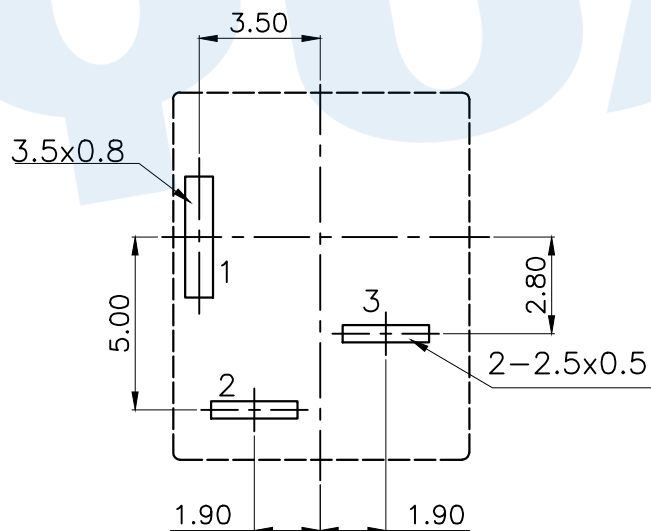
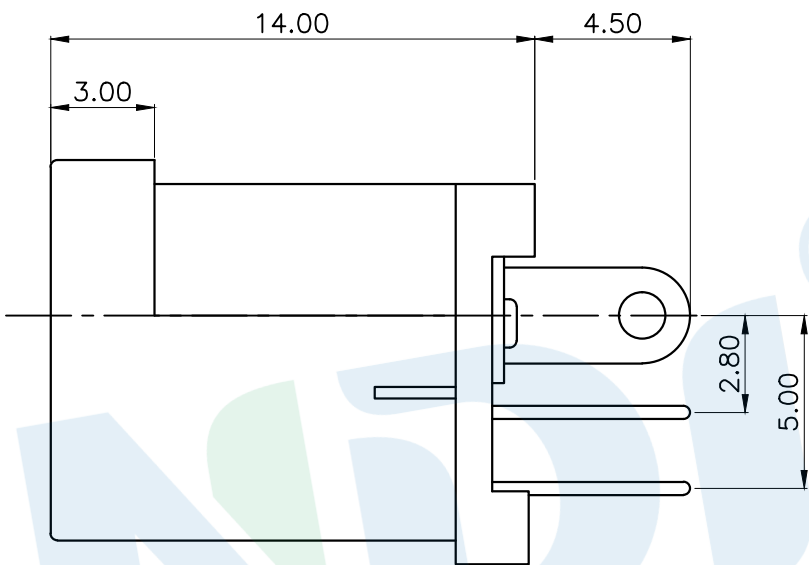
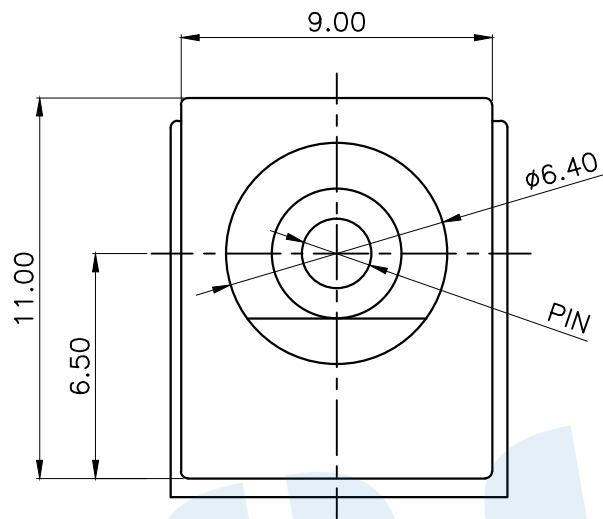
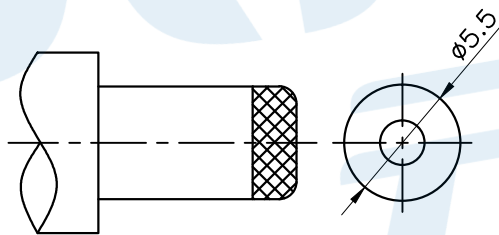


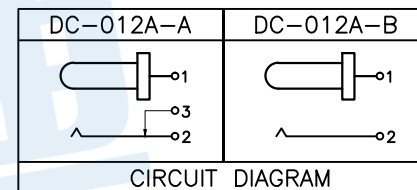
RoHS



P.C.B LAYOUT(Copper-side view)



DC MATE PLUG



Model No.	1	2	3
PIN	$\phi 2.0$	$\phi 2.35$	$\phi 2.5$

Rating:0.5A 30V DC
 Contact Resistance:100 m Ω Max.
 Operating temperature:-20 ~70
 Operating force:3-20N
 Operating Life:5,000cycles

NO.	Name	Number	Qty	Materil	Remarks
①	Center Pin		1	Phosphor bronze	Copper Tin
②	Shrapnel		1	Steel/Copper	Copper Tin
③	Terminal		3	Phosphor bronze	Copper Tin
④	Housing		1	Nylon	Black

YUANDI YuanDi Electronics Co, Ltd

design	date	name
Review	date	DC SOCKET
Approved	date	model
Drawing number: DC-012A		