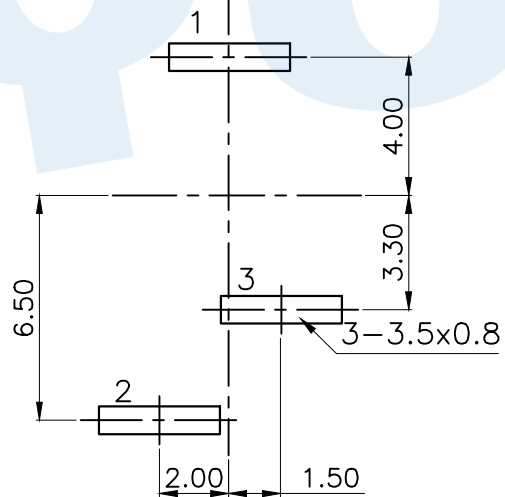
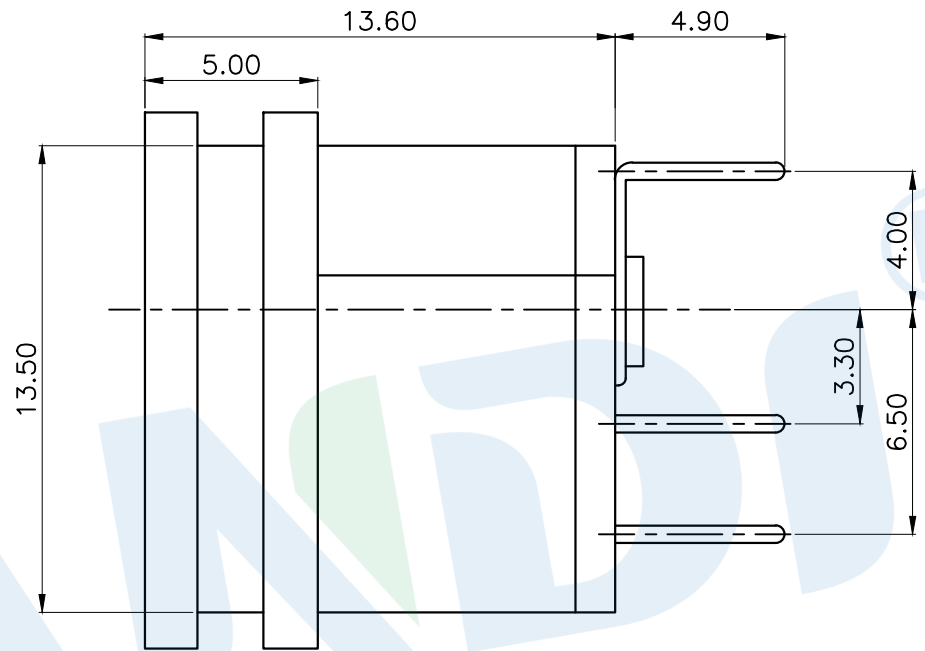
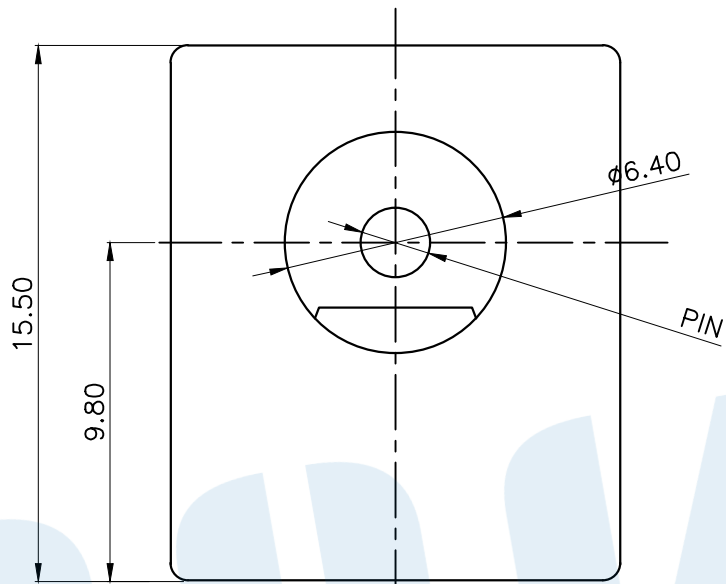
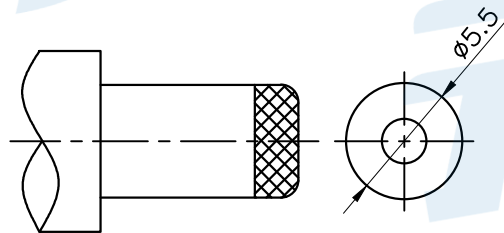


RoHS

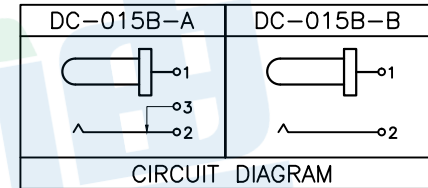


P.C.B LAYOUT(Copper-side view)



DC MATE PLUG

Rating:0.5A 30V DC  
 Contact Resistance:100 mΩ Max.  
 Operating temperature:-20 ~70  
 Operating force:3-20N  
 Operating Life:5,000cycles



|           |      |      |
|-----------|------|------|
| Model No. | 1    | 2    |
| PIN       | φ2.0 | φ2.5 |

|     |            |        |     |                 |            |
|-----|------------|--------|-----|-----------------|------------|
| Ⓓ   | Center Pin |        | 1   | Phosphor bronze | Copper Tin |
| Ⓒ   | Shrapnel   |        | 1   | Steel/Copper    | Copper Tin |
| Ⓑ   | Terminal   |        | 3   | Phosphor bronze | Copper Tin |
| Ⓐ   | Housing    |        | 1   | Nylon           | Black      |
| NO. | Name       | Number | Qty | Materil         | Remarks    |

YUANDI® Yuandi Electronics Co, Ltd

|          |      |       |           |
|----------|------|-------|-----------|
| design   | date | name  | DC SOCKET |
| Review   | date | model | DC-015B   |
| Approved | date |       |           |

Drawing number: Proportion 1:1 unit mm gage number A4

|        |        |          |                         |
|--------|--------|----------|-------------------------|
| angle  | ±2'    |          |                         |
| 10~30  | ±0.30  |          |                         |
| 5~10   | ±0.20  |          |                         |
| ~ 5    | ±0.10  |          |                         |
| modify | Review | Approved | Tolerance not specified |