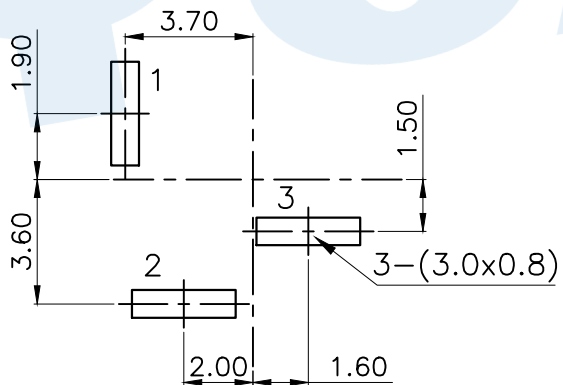
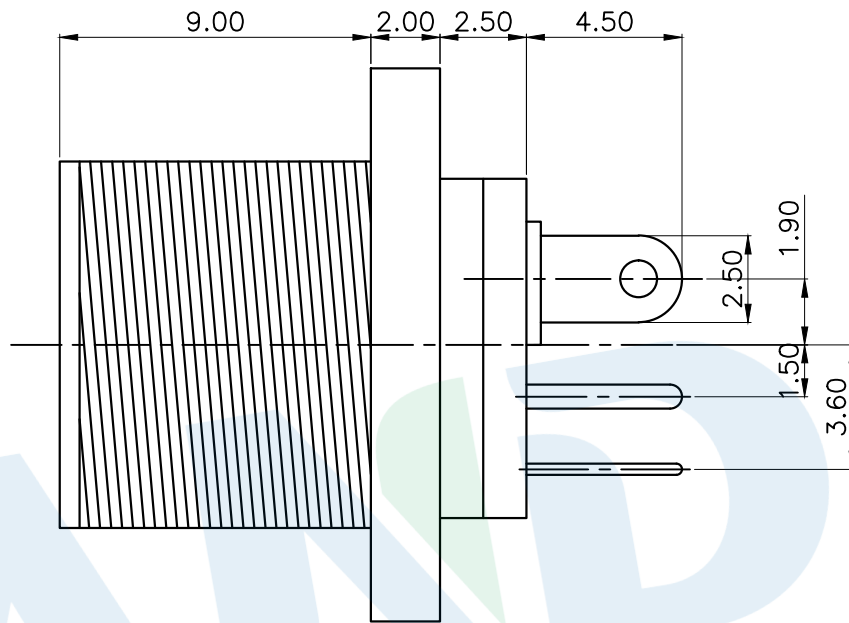
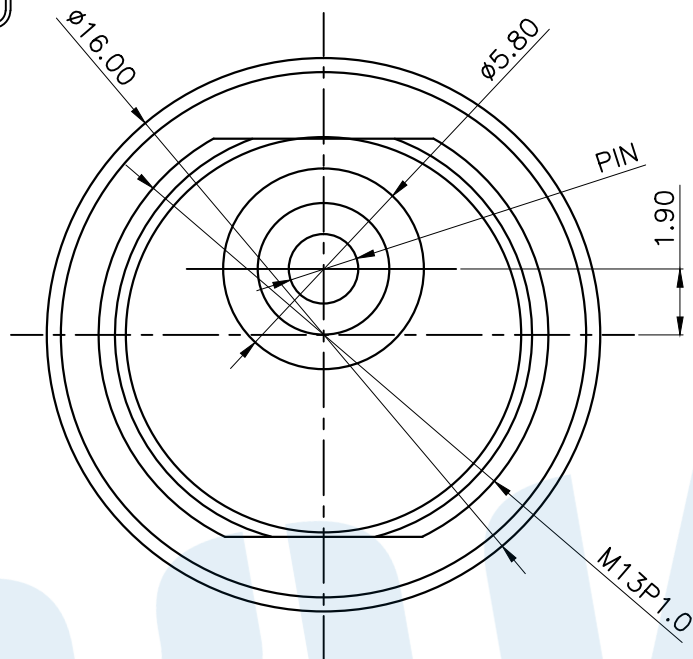
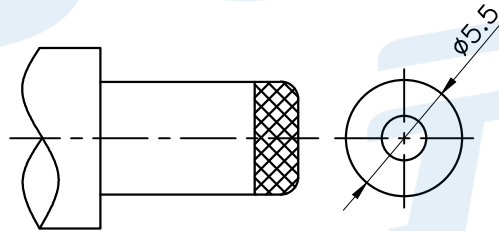


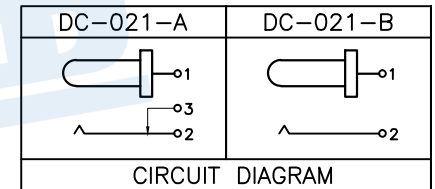
RoHS



P.C.B LAYOUT(top view)



DC MATE PLUG



Model No.	1	2	3
PIN	ø2.0	ø2.35	ø2.5

Rating:0.5A 30V DC  
 Contact Resistance:100 mΩ Max.  
 Operating temperature:-20 ~70  
 Operating force:3-20N  
 Operating Life:5,000cycles

NO.	Name	Number	Qty	Materil	Remarks
Ⓓ	Center Pin	1	1	Phosphor bronze	Copper Tin
Ⓒ	Shrapnel	1	1	Steel/Copper	Copper Tin
Ⓑ	Terminal	3	3	Phosphor bronze	Copper Tin
Ⓐ	Housing	1	1	Nylon	Black

**YUANDI®** Yuandi Electronics Co, Ltd

design	date	name	model
Review	date	DC SOCKET	DC-021
Approved	date		

Drawing number: Proportion 1:1 unit mm gage number A4

modify Review Approved Tolerance not specified