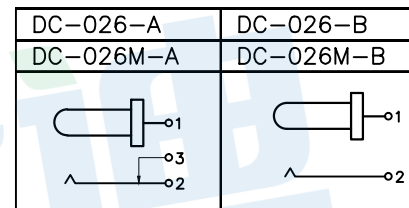
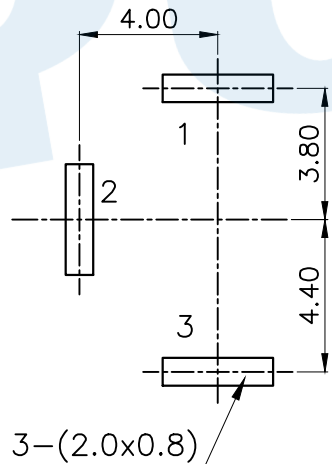
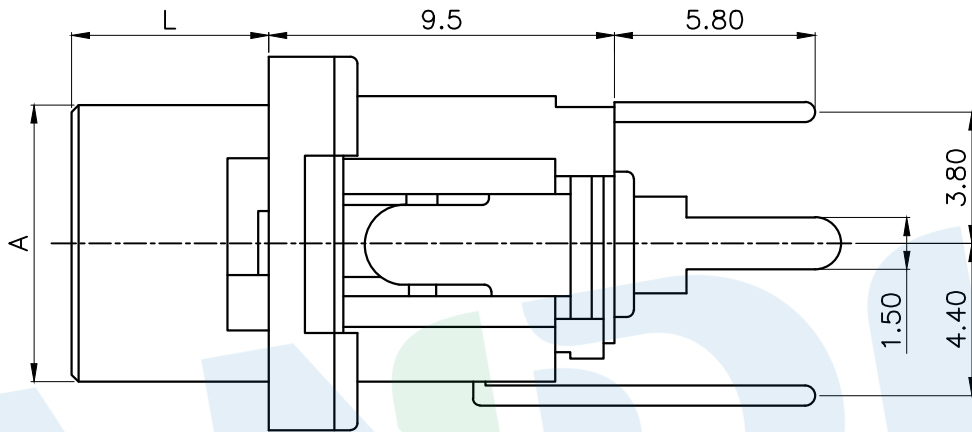
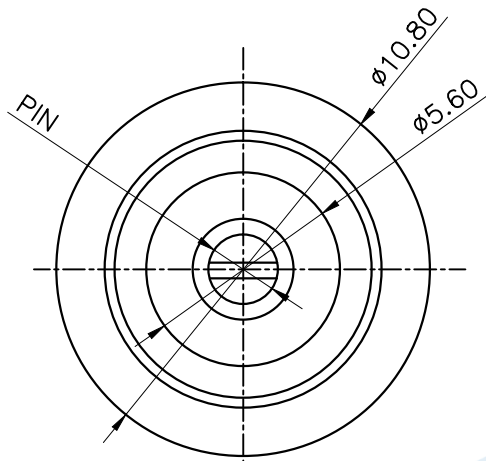


RoHS



Model No.	L=5.7,A=φ8	1	2	3
	L=5.2,A=M8xP0.75			
PIN		φ2.0	φ2.35	φ2.5

Rating:0.5A 30V DC
 Contact Resistance:100 mΩ Max.
 Operating temperature:-20 ~70
 Operating force:3-20N
 Operating Life:5,000cycles

Ⓓ	Center Pin		1	Phosphor bronze	Copper Tin
Ⓒ	Shrapnel		1	Steel/Copper	Copper Tin
Ⓑ	Terminal		3	Phosphor bronze	Copper Tin
Ⓐ	Housing		1	Nylon	Black
NO.	Name	Number	Qty	Materil	Remarks

YUANDI® Yuandi Electronics Co, Ltd

design	date	name	DC SOCKET
Review	date	model	DC-026M
Approved	date		

Drawing number: Proportion 1:1 unit mm gage number A4

P.C.B LAYOUT(copper-sided view)

modify Review Approved Tolerance not specified