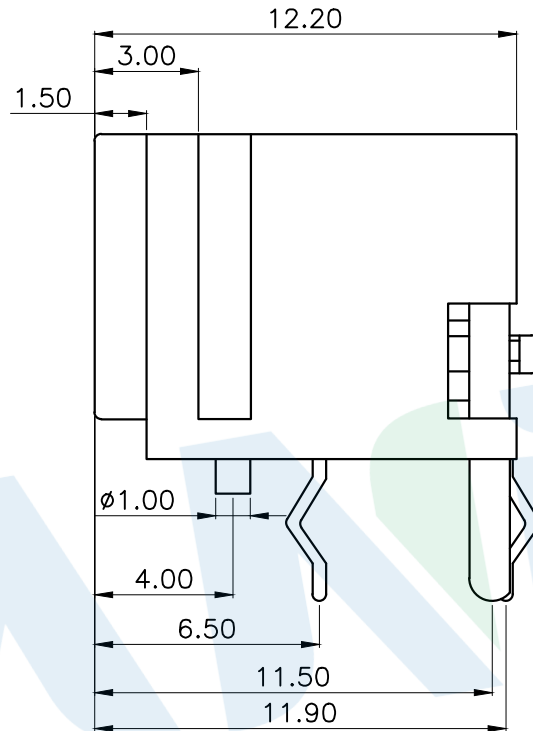
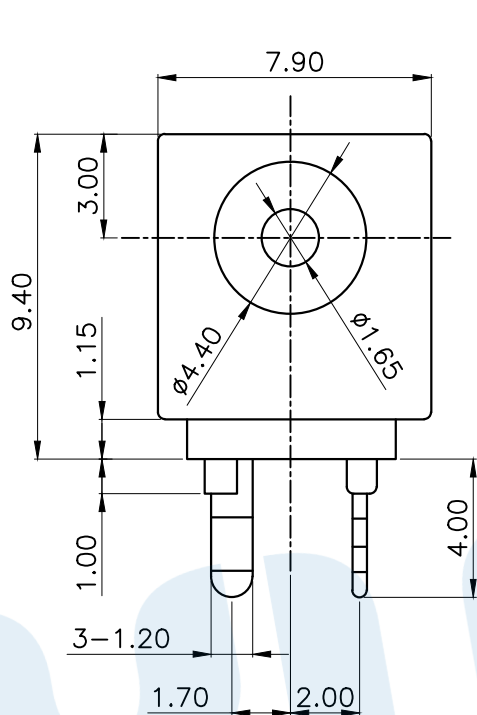
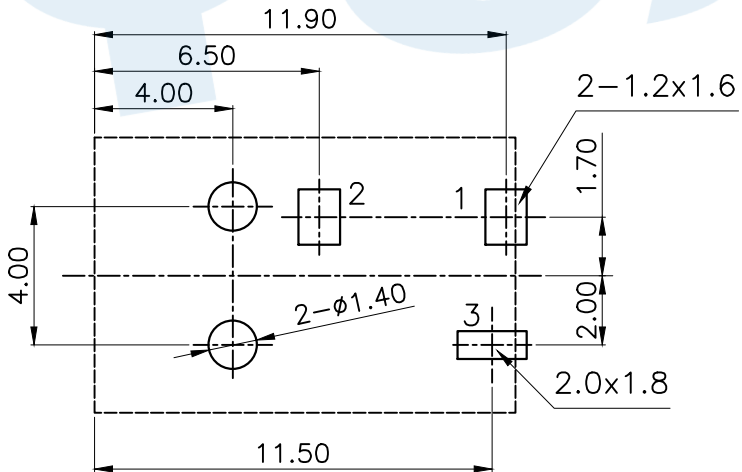


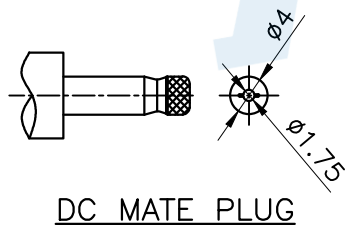
RoHS



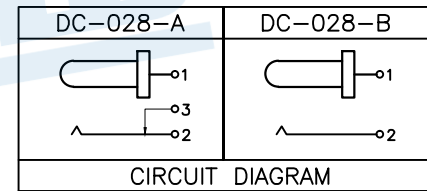
Rating:0.5A 30V DC
 Contact Resistance:100 mΩ Max.
 Operating temperature:-20 ~70
 Operating force:3-20N
 Operating Life:5,000cycles



P.C.B LAYOUT(copper-sided view)



DC MATE PLUG



Ⓓ	Center Pin		1	Phosphor bronze	Copper Tin
Ⓒ	Shrapnel		1	Steel/Copper	Copper Tin
Ⓑ	Terminal		3	Phosphor bronze	Copper Tin
Ⓐ	Housing		1	Nylon	Black
NO.	Name	Number	Qty	Materil	Remarks

YUANDI® Yuandi Electronics Co, Ltd

design	date	name	DC SOCKET
Review	date	model	DC-028
Approved	date		

Drawing number: Tolerance not specified Proportion 1:1 unit mm gage number A4

modify Review Approved