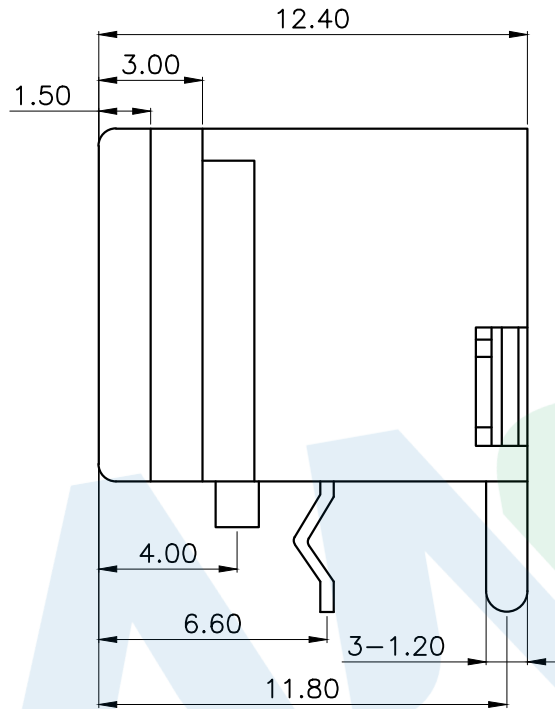
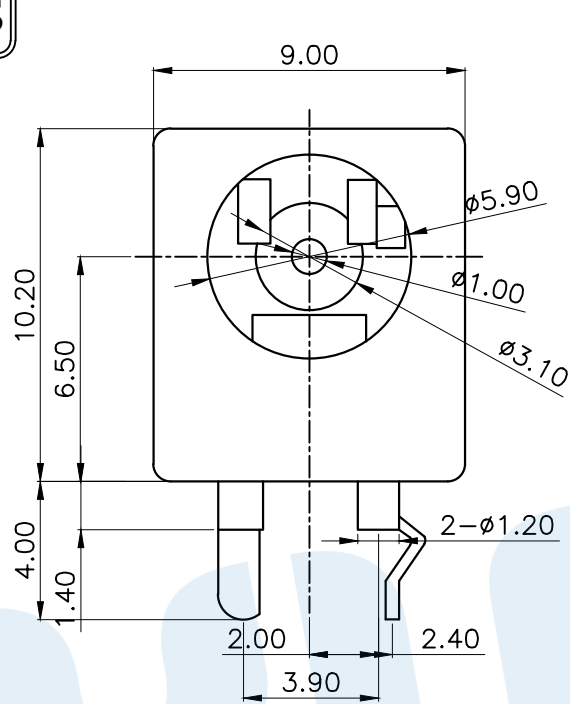
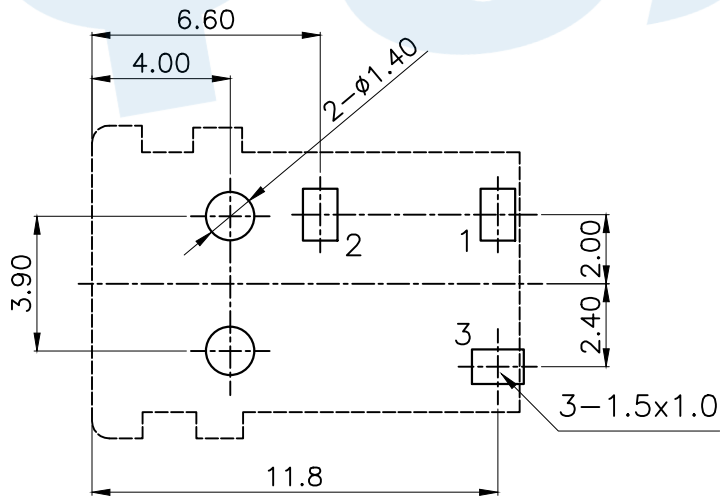


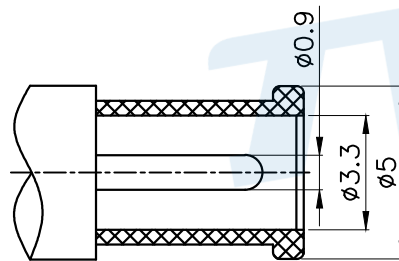
RoHS



P/N	DC-029-A	DC-029-B
Schematic code		



P.C.B LAYOUT(copper-sided view)



DC MATE PLUG

Rating:0.5A 30V DC
 Contact Resistance:100 mΩ Max.
 Operating temperature:-20 ~70
 Operating force:3-20N
 Operating Life:5,000cycles

NO.	Name	Number	Qty	Materil	Remarks
①	Center Pin		1	Phosphor bronze	Copper Tin
②	Shrapnel		1	Steel/Copper	Copper Tin
③	Terminal		3	Phosphor bronze	Copper Tin
④	Housing		1	Nylon	Black

YUANDI® Yuandi Electronics Co.,Ltd

design	date	name	DC SOCKET
Review	date	model	DC-029
Approved	date		

angle	±2'	Proportion	1:1	unit	mm	gape number	A4
10~30	±0.30	Tolerance not specified					
5~10	±0.20						
~ 5	±0.10						