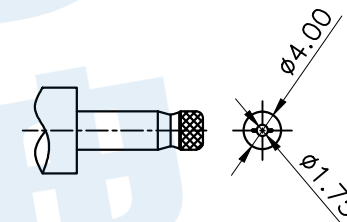
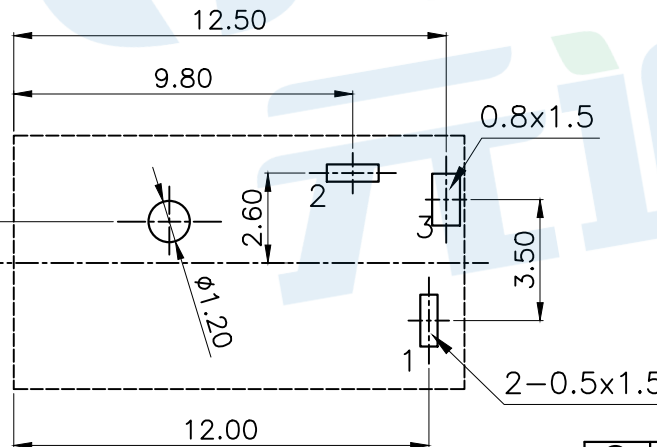
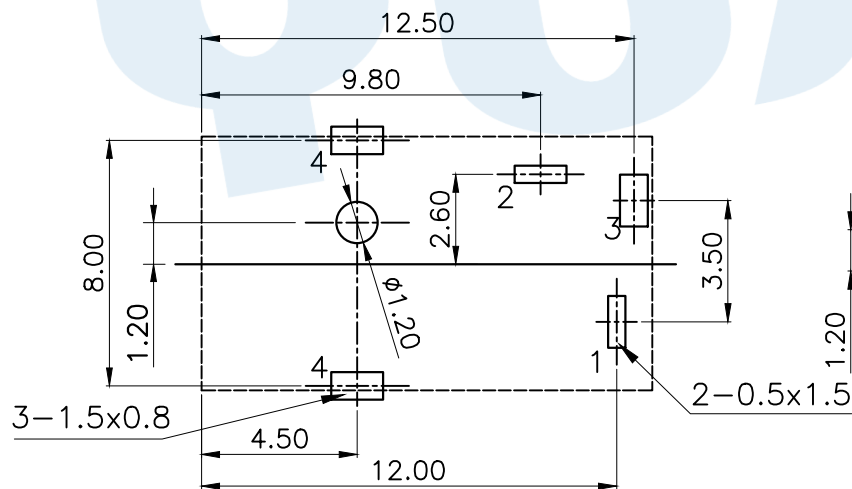
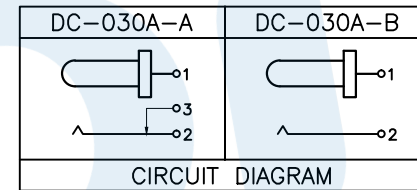
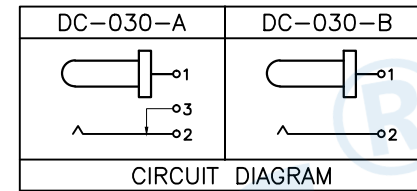
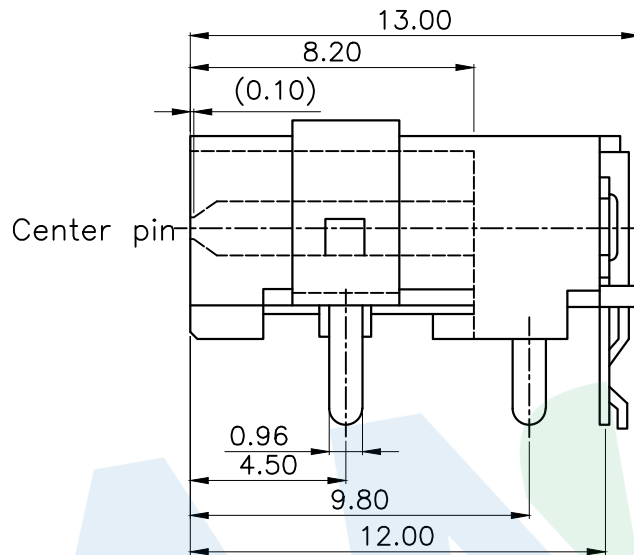
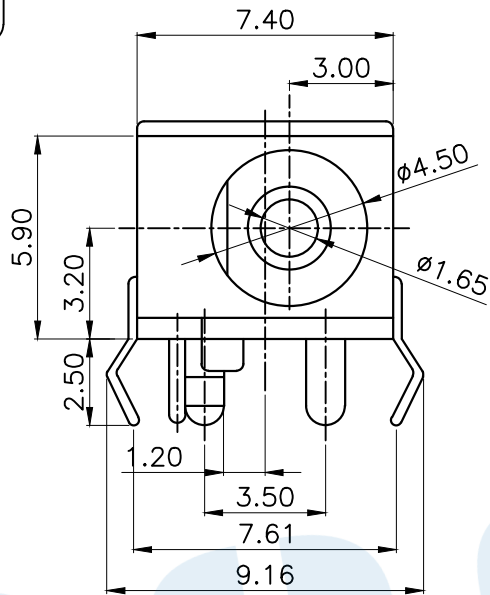


RoHS



DC MATE PLUG

Rating:0.5A 30V DC
 Contact Resistance:100 mΩ Max.
 Operating temperature:-20 ~70
 Operating force:3~20N
 Operating Life:5,000cycles

P.C.B LAYOUT(copper-sided view)

Ⓓ	Center Pin		1	Phosphor bronze	Copper Tin
Ⓒ	Shrapnel		1	Steel/Copper	Copper Tin
Ⓑ	Terminal		5	Phosphor bronze	Copper Tin
Ⓐ	Housing		1	Nylon	Black
NO.	Name	Number	Qty	Materil	Remarks

YUANDI® Yuandi Electronics Co, Ltd

design	date	name	DC SOCKET
Review	date	model	DC-030
Approved	date		

angle	±2'	Proportion	1:1	unit	mm	gape number	A4
10~30	±0.30						
5~10	±0.20						
~ 5	±0.10						

modify Review Approved Tolerance not specified