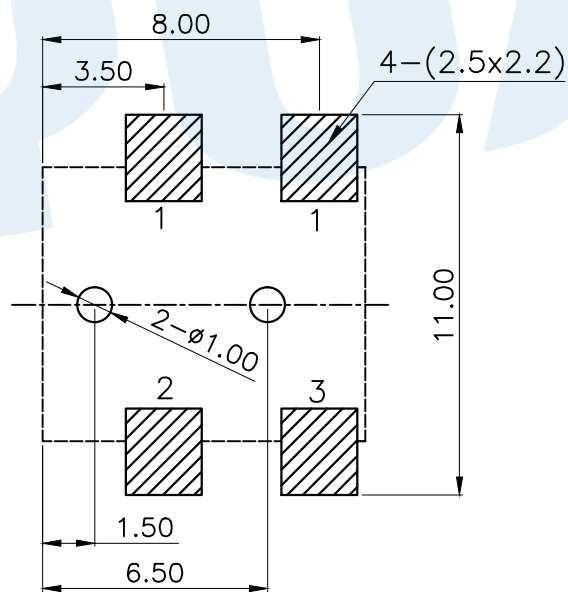
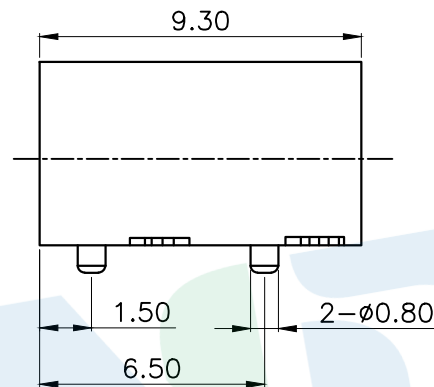
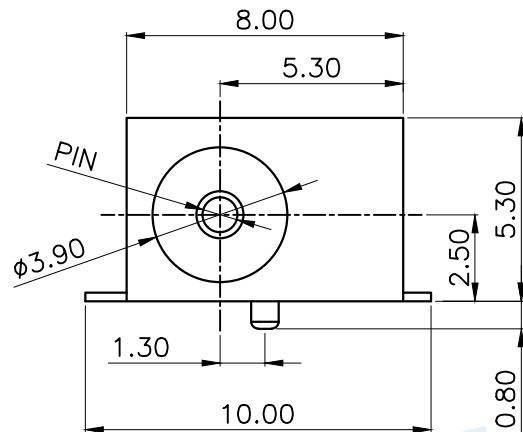
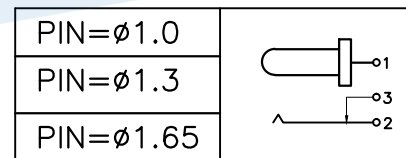


RoHS



P.C.B LAYOUT TOP VIEW

Rating:0.5A 30V DC
 Contact Resistance:100 mΩ Max.
 Operating temperature:-20 ~70
 Operating force:3-20N
 Operating Life:5,000cycles



①	Center Pin		1	Phosphor bronze	Copper Tin
②	Shrapnel		1	Steel/Copper	Copper Tin
③	Terminal		4	Phosphor bronze	Copper Tin
④	Housing		1	Nylon	Black
NO.	Name	Number	Qty	Materil	Remarks

YUANDI® Yuandi Electronics Co, Ltd

design	date	name	DC SOCKET
Review	date	model	DC-033
Approved	date		
Drawing number:			
angle	±2'	Proportion	1:1
10~30	±0.30	unit	mm
5~10	±0.20	gape number	
~ 5	±0.10		A4

modify Review Approved Tolerance not specified