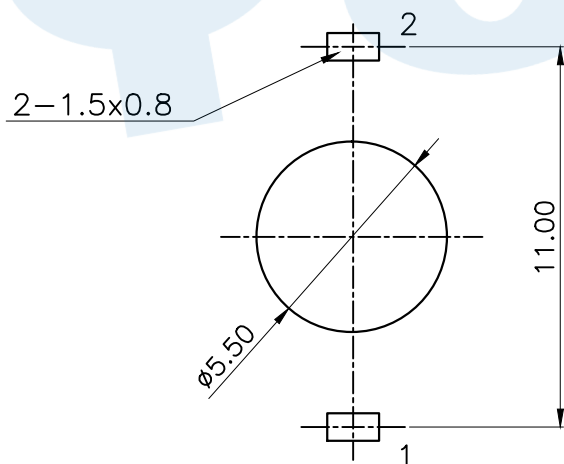
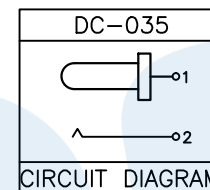
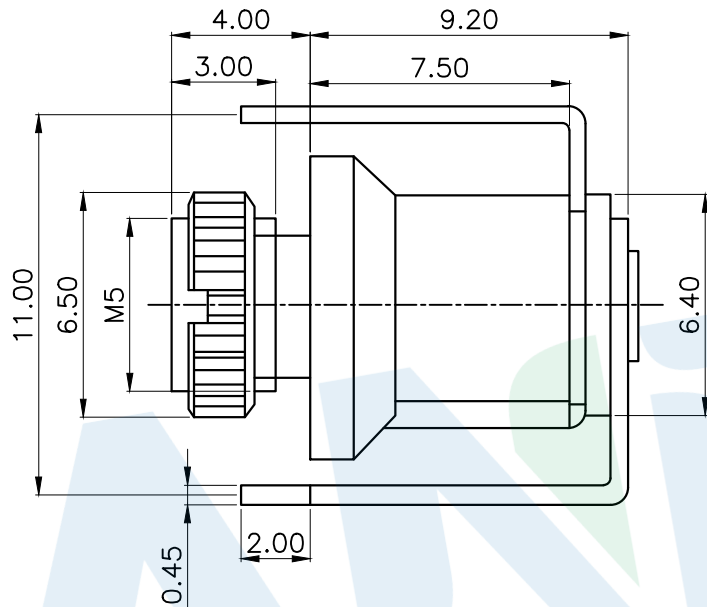
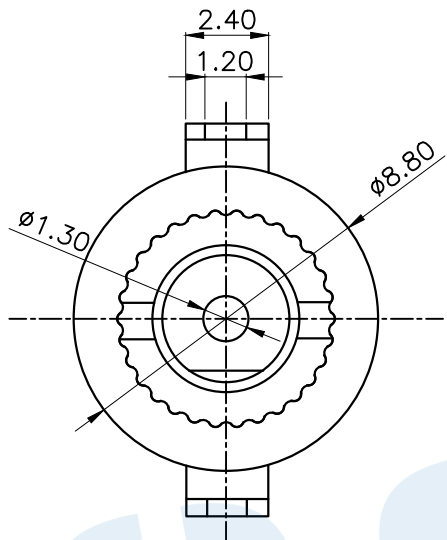
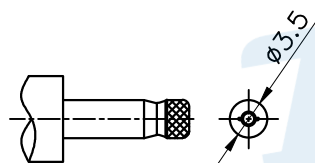


RoHS



P.C.B LAYOUT(copper-sided view)



DC MATE PLUG

Rating:0.5A 30V DC  
 Contact Resistance:100 mΩ Max.  
 Operating temperature:-20 ~70  
 Operating force:3-20N  
 Operating Life:5,000cycles

Ⓓ	Center Pin		1	Phosphor bronze	Copper Tin
Ⓒ	Shrapnel		1	Steel/Copper	Copper Tin
Ⓑ	Terminal		2	Phosphor bronze	Copper Tin
Ⓐ	Housing		1	Nylon	Black
NO.	Name	Number	Qty	Materil	Remarks

**YUANDI**® Yuandi Electronics Co, Ltd

design	date	name	DC SOCKET
Review	date	model	DC-035
Approved	date		

angle	±2'	design number	
10~30	±0.30	Drawing number:	
5~10	±0.20	Proportion	1:1
~ 5	±0.10	unit	mm
modify	Review	Approved	mm gage number