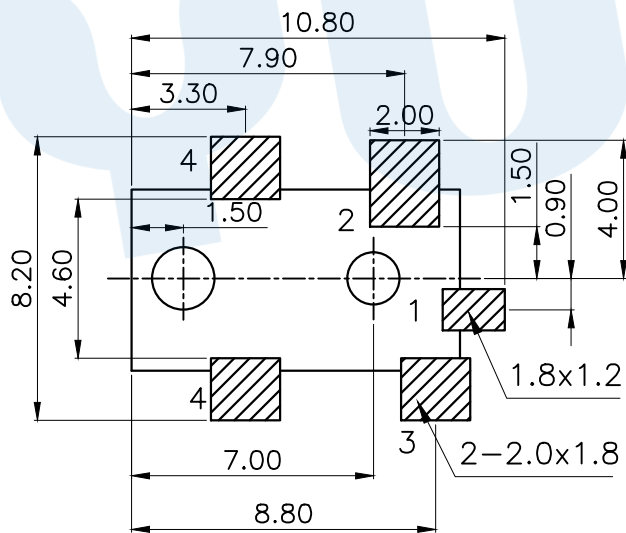
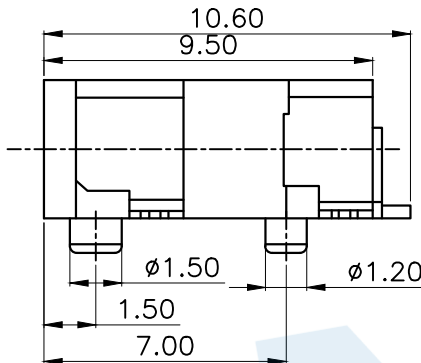
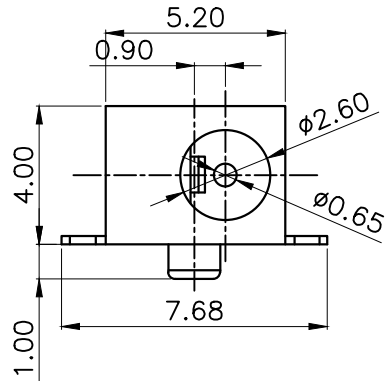
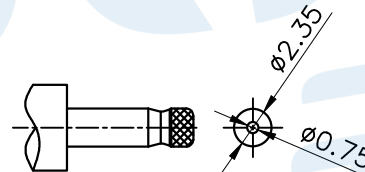


RoHS

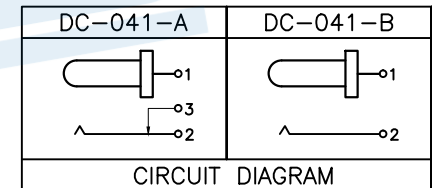


P.C.B LAYOUT(Copper-side view)



DC MATE PLUG

Rating:0.5A 30V DC
 Contact Resistance:100 mΩ Max.
 Operating temperature:-20 ~70
 Operating force:3-20N
 Operating Life:5,000cycles



Ⓓ	Center Pin		1	Phosphor bronze	Copper Tin
Ⓒ	Shrapnel		1	Steel/Copper	Copper Tin
Ⓑ	Terminal		5	Phosphor bronze	Copper Tin
Ⓐ	Housing		1	Nylon	Black
NO.	Name	Number	Qty	Materil	Remarks

YUANDI® Yuandi Electronics Co, Ltd

design	date	name	DC SOCKET
Review	date	model	DC-041
Approved	date		

Drawing number: Proportion 1:1 unit mm gage number A4

modify Review Approved Tolerance not specified