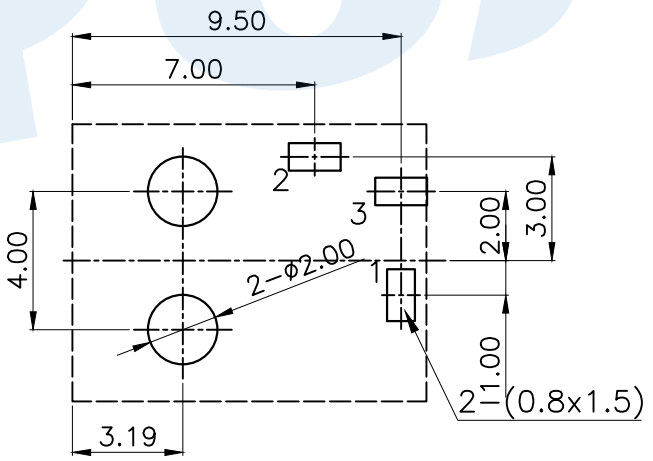
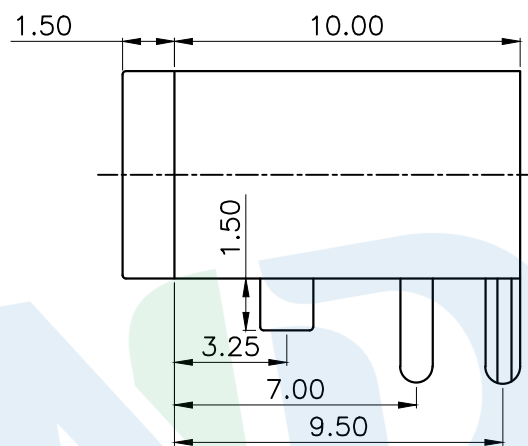
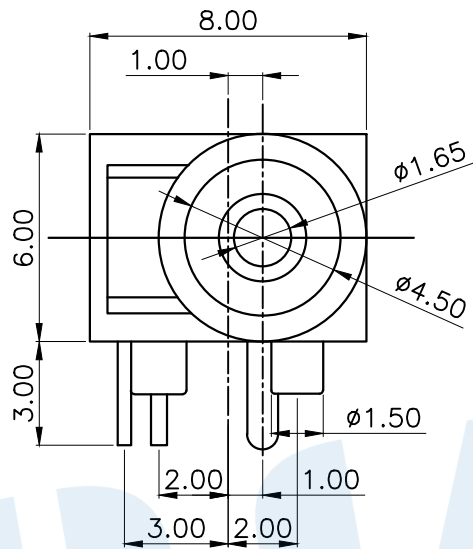
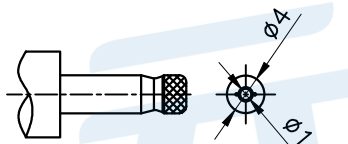


RoHS

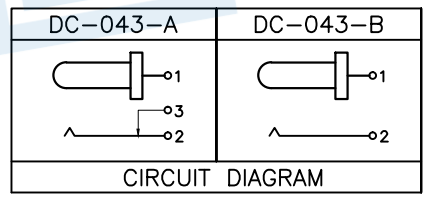


P.C.B LAYOUT(copper-sided view)



DC MATE PLUG

Rating:0.5A 30V DC  
 Contact Resistance:100 mΩ Max.  
 Operating temperature:-20 ~70  
 Operating force:3-20N  
 Operating Life:5,000cycles



Ⓓ	Center Pin		1	Phosphor bronze	Copper Tin
Ⓒ	Shrapnel		1	Steel/Copper	Copper Tin
Ⓑ	Terminal		3	Phosphor bronze	Copper Tin
Ⓐ	Housing		1	Nylon	Black
NO.	Name	Number	Qty	Materil	Remarks
<b>YUANDI® Yuandi Electronics Co, Ltd</b>					

design	date	name	DC SOCKET
Review	date	model	DC-043
Approved	date		
Drawing number:			

angle	±2'	Tolerance not specified	Proportion	1:1	unit	mm	gape number	A4
10~30	±0.30							
5~10	±0.20							
~ 5	±0.10							
modify	Review	Approved						