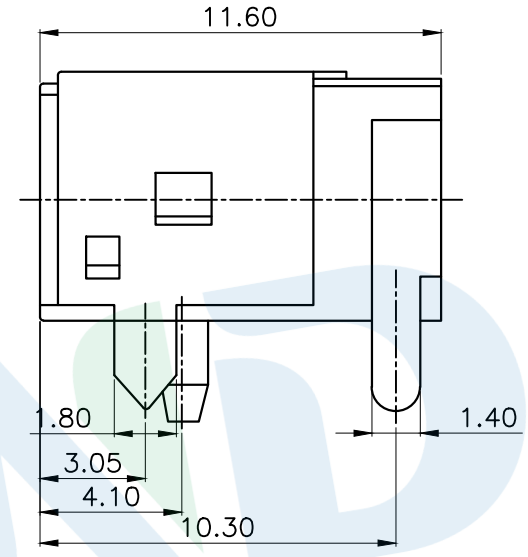
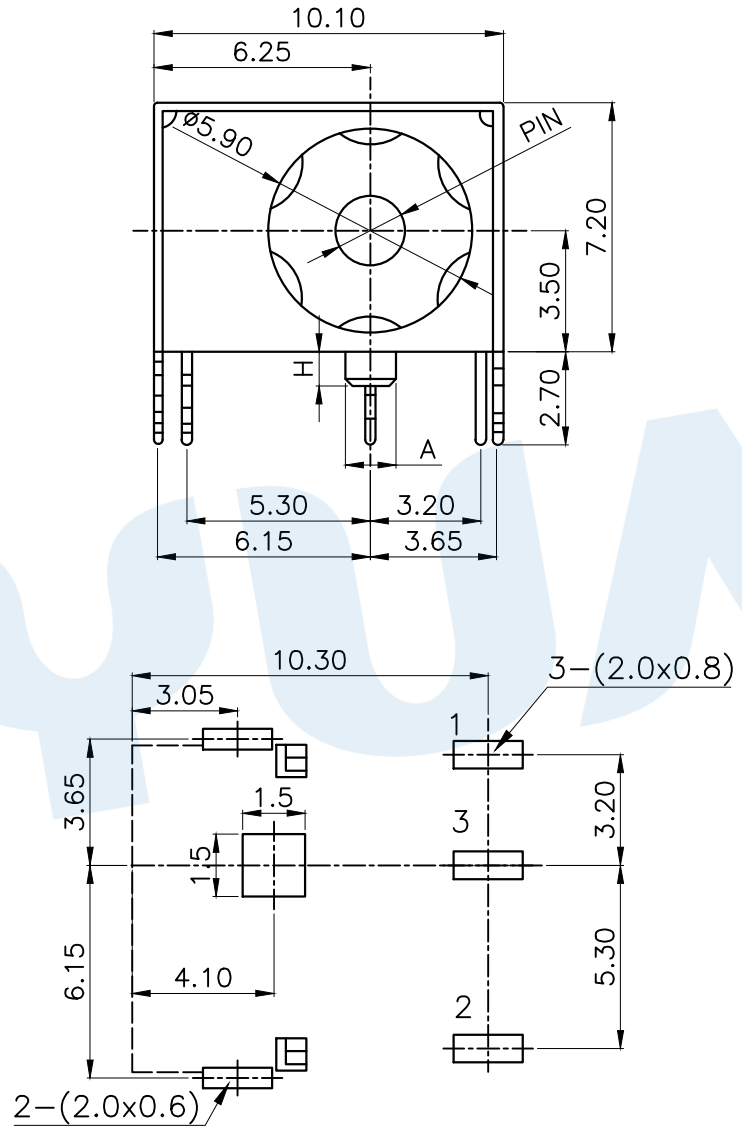


RoHS



Model No.	A=1.4,H=3	DC-004A-A	DC-004A-B
	A=φ1.5,H=3	DC-004F-A	DC-004F-B
	A=1.6,H=3	DC-004G-A	DC-004G-B
	A=1.4,H=1	DC-004H-A	DC-004H-H
Schematic			

Model No.	1	2	3
PIN	φ1.65	φ2.0	φ2.5

P.C.B LAYOUT(copper-sided view)

Rating:0.5A 30V DC  
 Contact Resistance:100 mΩ Max.  
 Operating temperature:-20 ~70  
 Operating force:3~20N  
 Operating Life:5,000cycles

①	Center Pin		1	Phosphor bronze	Copper Tin
②	Shrapnel		1	Steel/Copper	Copper Tin
③	Terminal		6	Phosphor bronze	Copper Tin
④	Housing		1	Nylon	Black
NO.	Name	Number	Qty	Materil	Remarks

**YUANDI®** Yuandi Electronics Co, Ltd

design	date	name	DC SOCKET
Review	date	model	DC-044A
Approved	date		

angle	±2'	Drawing number:	design	date	name	DC SOCKET			
10~30	±0.30		Review	date	model	DC-044A			
5~10	±0.20		Approved	date					
~ 5	±0.10								
modify	Review	Approved	Tolerance not specified	Proportion	1:1	unit	mm	gape number	A4