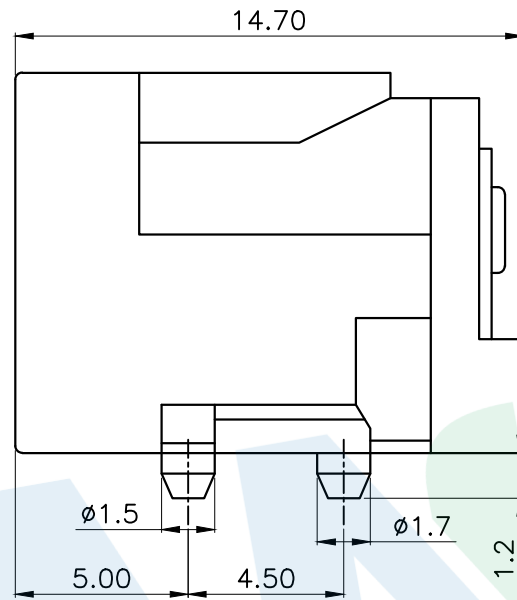
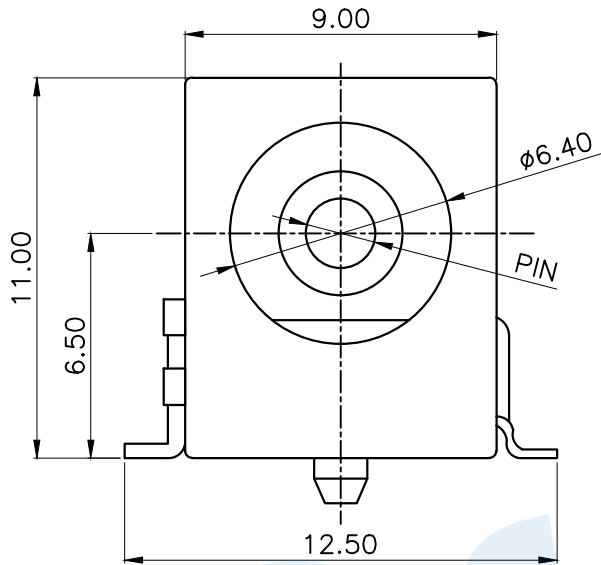
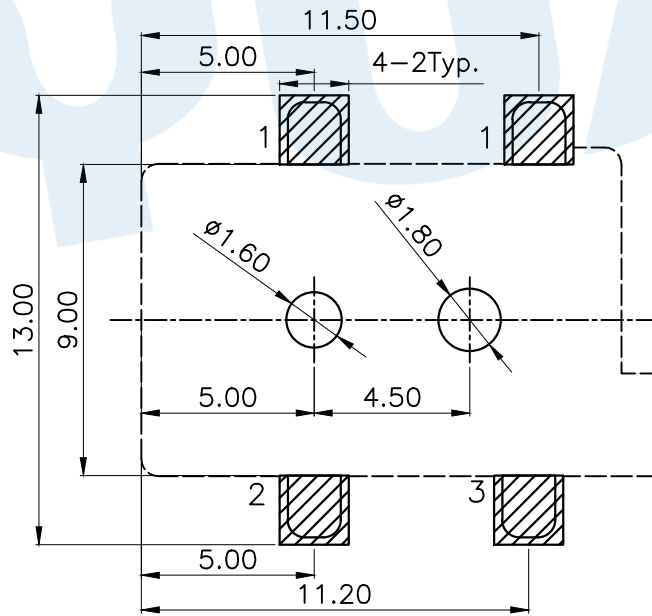


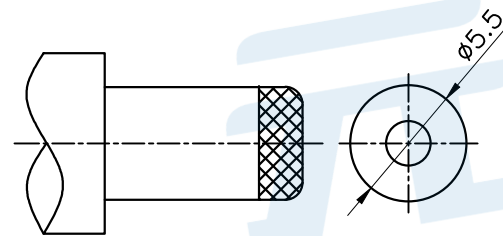
RoHS



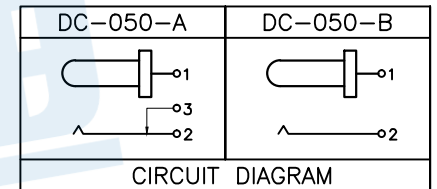
Rating:0.5A 30V DC
 Contact Resistance:100 mΩ Max.
 Operating temperature:-20 ~70
 Operating force:3-20N
 Operating Life:5,000cycles



P.C.B LAYOUT(copper-sided view)



DC MATE PLUG



Model No.	1	2
PIN	φ2.0	φ2.5

Ⓓ	Center Pin	1	Phosphor bronze	Copper Tin	
Ⓒ	Shrapnel	1	Steel/Copper	Copper Tin	
Ⓑ	Terminal	4	Phosphor bronze	Copper Tin	
Ⓐ	Housing	1	Nylon	Black	
NO.	Name	Number	Qty	Materil	Remarks

YUANDI® Yuandi Electronics Co, Ltd

design	date	name	DC SOCKET
Review	date	model	DC-050
Approved	date		

Drawing number: Proportion 1:1 unit mm gage number A4

modify Review Approved Tolerance not specified

angle	±2'
10~30	±0.30
5~10	±0.20
~ 5	±0.10