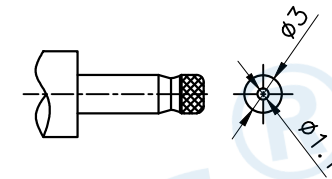
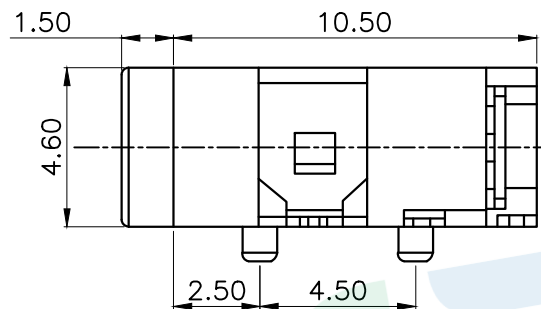
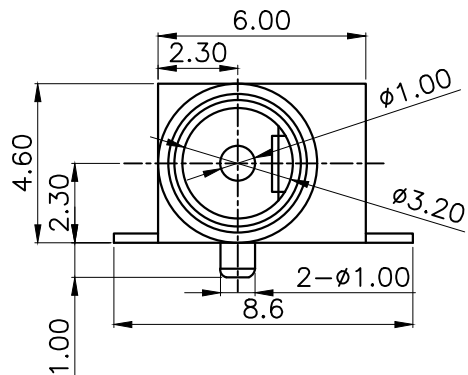
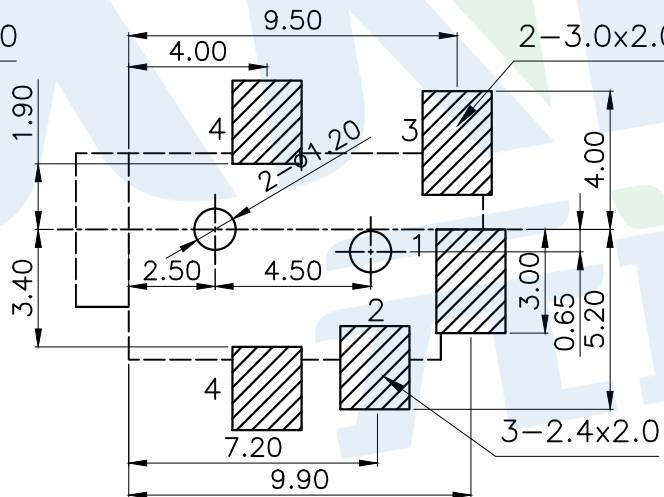
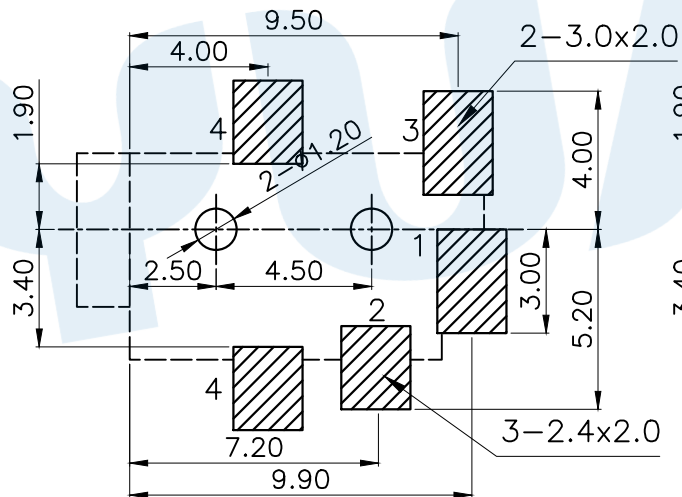


RoHS

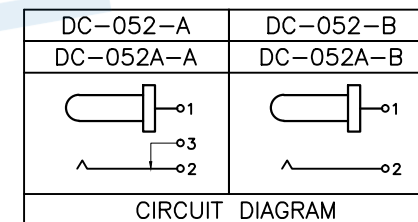


DC MATE PLUG

Rating:0.5A 30V DC
 Contact Resistance:100 mΩ Max.
 Operating temperature:-20 ~70
 Operating force:3~20N
 Operating Life:5,000cycles



P.C.B LAYOUT(copper-sided view)



Ⓓ	Center Pin		1	Phosphor bronze	Copper Tin
Ⓒ	Shrapnel		1	Steel/Copper	Copper Tin
Ⓑ	Terminal		5	Phosphor bronze	Copper Tin
Ⓐ	Housing		1	Nylon	Black
NO.	Name	Number	Qty	Materil	Remarks
YUANDI® Yuandi Electronics Co, Ltd					

design	date	name	DC SOCKET
Review	date	model	DC-052
Approved	date		
Drawing number:			
angle	±2'		
	10~30	±0.30	
	5~10	±0.20	
	~ 5	±0.10	
modify	Review	Approved	Tolerance not specified
Proportion	1:1	unit	mm
gape number			A4