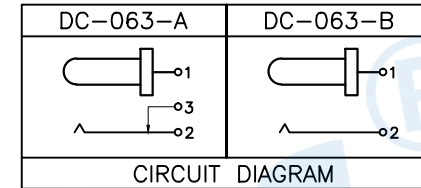
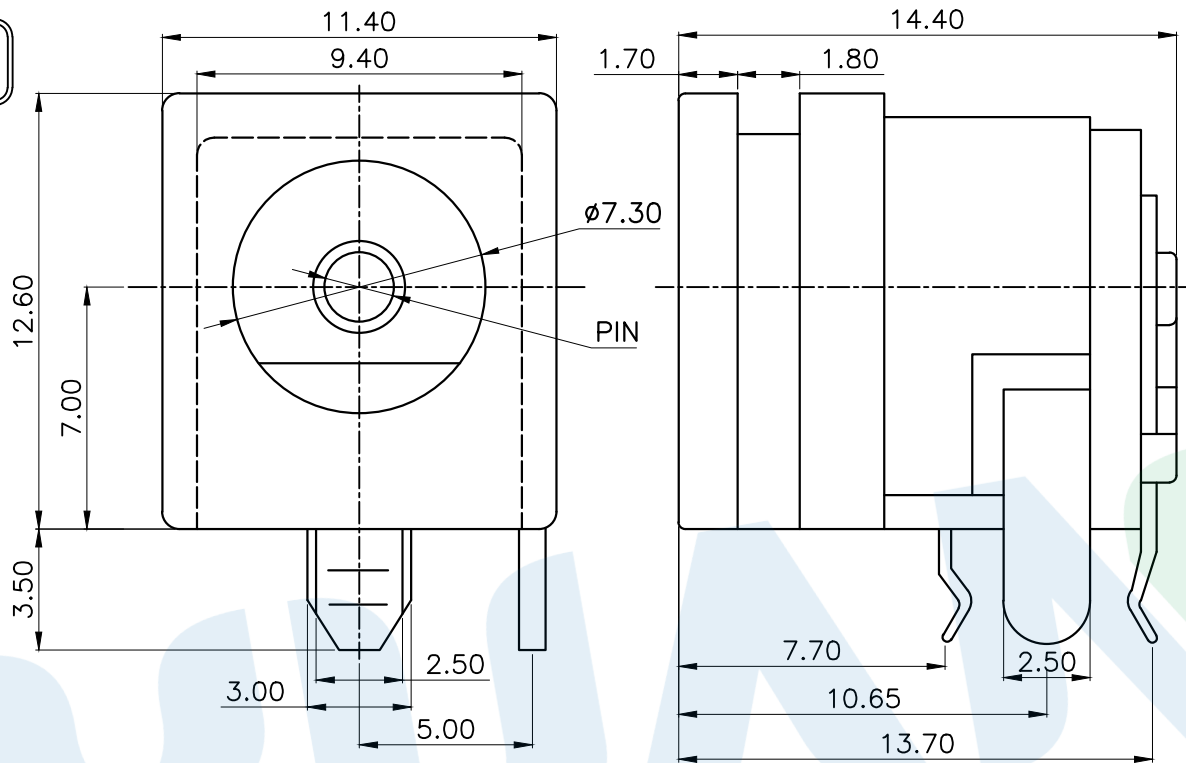
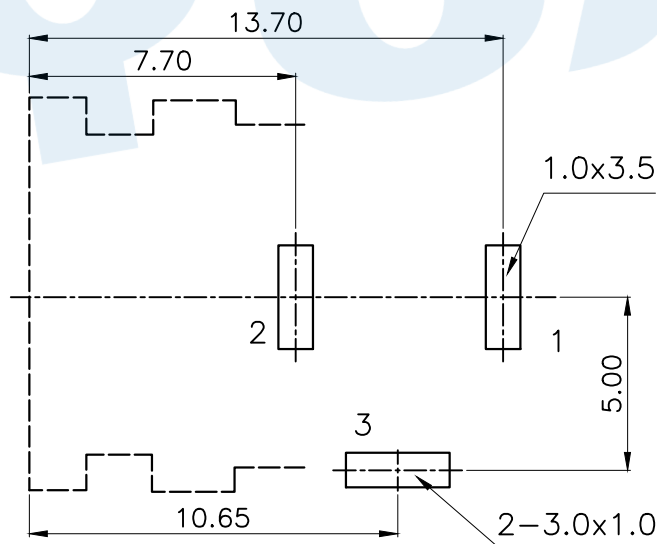


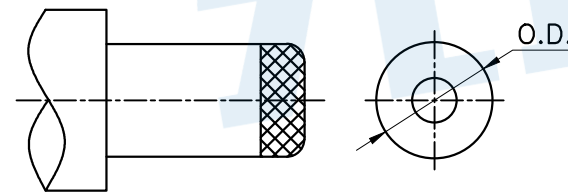
RoHS



Model No.	1	2	3
PIN	ø2.0	ø2.5	ø3.0
DC PLUG O.D.	ø5.5	ø5.5	ø6.55



P.C.B LAYOUT(copper-sided view)



DC MATE PLUG

Rating:0.5A 30V DC  
 Contact Resistance:100 mΩ Max.  
 Operating temperature:-20 ~70  
 Operating force:3-20N  
 Operating Life:5,000cycles

Ⓓ	Center Pin	1	Phosphor bronze	Copper Tin	
Ⓒ	Shrapnel	1	Steel/Copper	Copper Tin	
Ⓑ	Terminal	3	Phosphor bronze	Copper Tin	
Ⓐ	Housing	1	Nylon	Black	
NO.	Name	Number	Qty	Materil	Remarks

**YUANDI®** Yuandi Electronics Co, Ltd

design	date	name	DC SOCKET
Review	date	model	DC-063
Approved	date		

Drawing number: Proportion 1:1 unit mm gage number A4

modify Review Approved Tolerance not specified