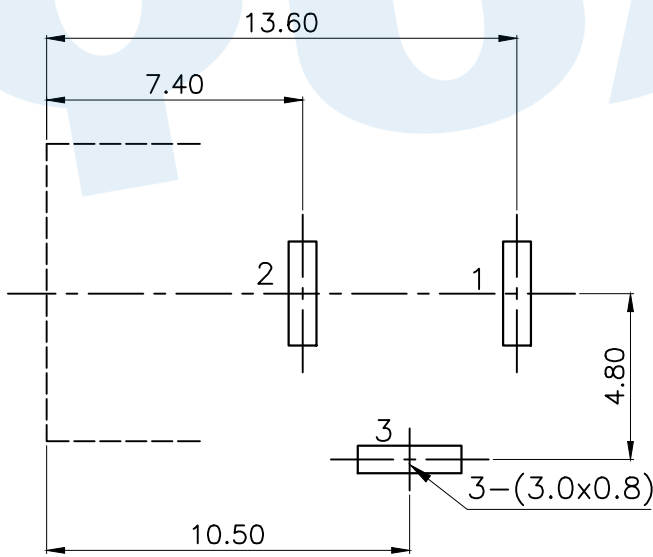
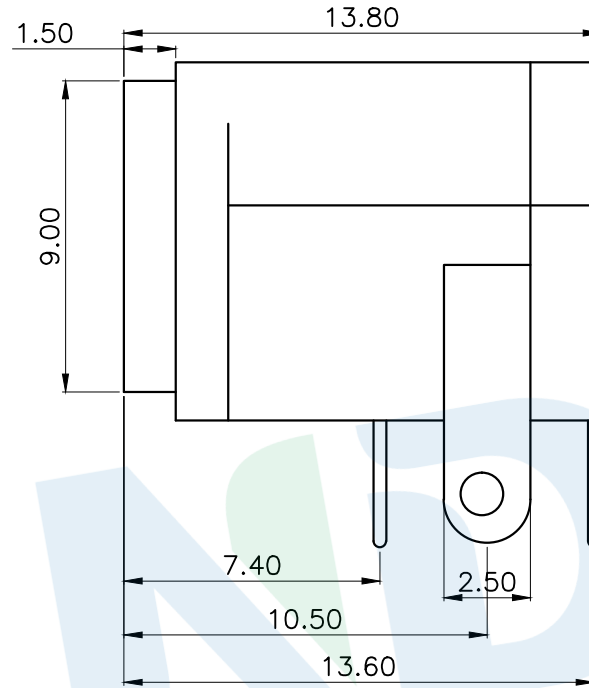
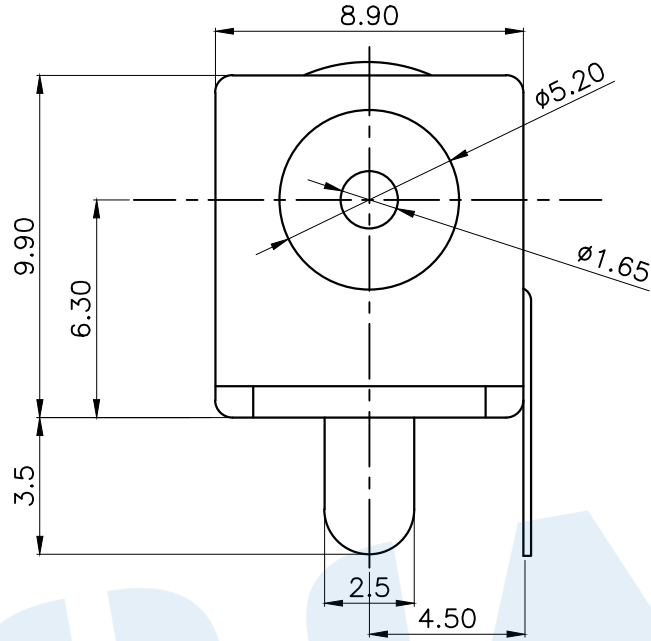
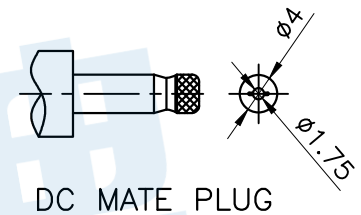


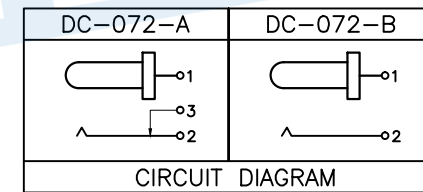
RoHS



P.C.B LAYOUT(Copper-side view)



DC MATE PLUG



Rating:0.5A 30V DC  
 Contact Resistance:100 mΩ Max.  
 Operating temperature:-20 ~70  
 Operating force:3~20N  
 Operating Life:5,000cycles

| Ⓓ   | Center Pin |        | 1   | Phosphor bronze | Copper Tin |
|-----|------------|--------|-----|-----------------|------------|
| Ⓒ   | Shrapnel   |        | 1   | Steel/Copper    | Copper Tin |
| Ⓑ   | Terminal   |        | 3   | Phosphor bronze | Copper Tin |
| Ⓐ   | Housing    |        | 1   | Nylon           | Black      |
| NO. | Name       | Number | Qty | Materil         | Remarks    |

**YUANDI**® Yuandi Electronics Co, Ltd

|          |      |       |           |
|----------|------|-------|-----------|
| design   | date | name  | DC SOCKET |
| Review   | date | model | DC-072    |
| Approved | date |       |           |

Drawing number: A4

modify Review Approved

Tolerance not specified

Proportion

1:1

unit

mm

gape number