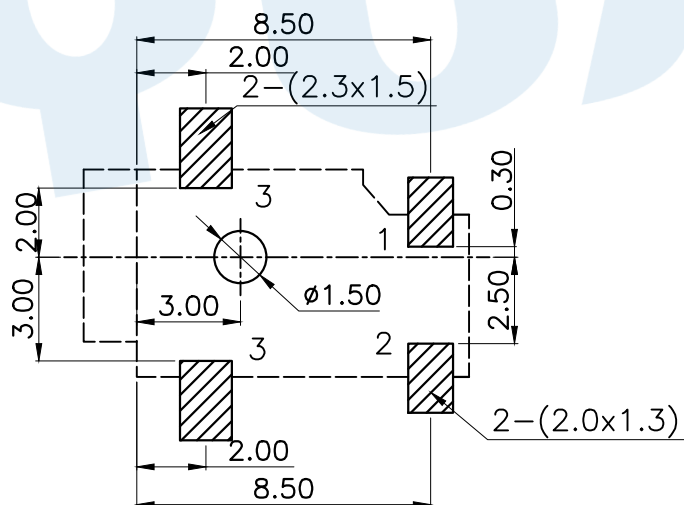
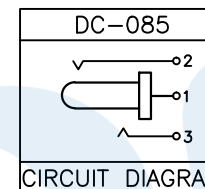
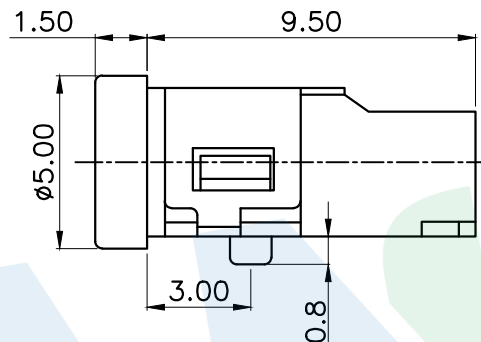
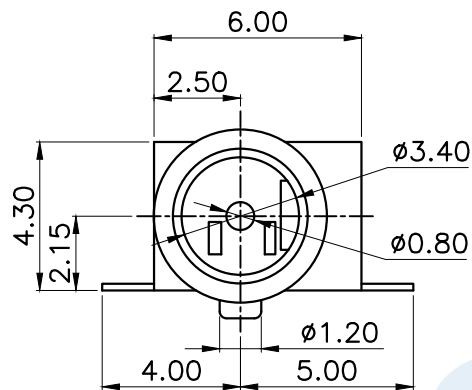
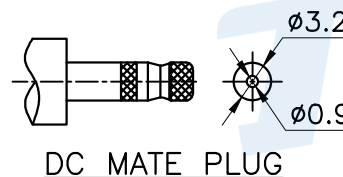


RoHS



P.C.B LAYOUT(Copper-side view)



Rating:0.5A 30V DC
Contact Resistance:100 mΩ Max.
Operating temperature:-20 ~70
Operating force:3-20N
Operating Life:5,000cycles

NO.	Name	Number	Qty	Materil	Remarks
①	Center Pin		1	Phosphor bronze	Copper Tin
②	Shrapnel		1	Steel/Copper	Copper Tin
③	Terminal		4	Phosphor bronze	Au Plating
④	Housing		1	Nylon	Black

YUANDI® Yuandi Electronics Co, Ltd

design	date	name	DC SOCKET
Review	date	model	DC-085
Approved	date		

Drawing number: Proportion 1:1 unit mm gage number A4

modify Review Approved Tolerance not specified

angle ±2'
10~30 ±0.30
5~10 ±0.20
~ 5 ±0.10