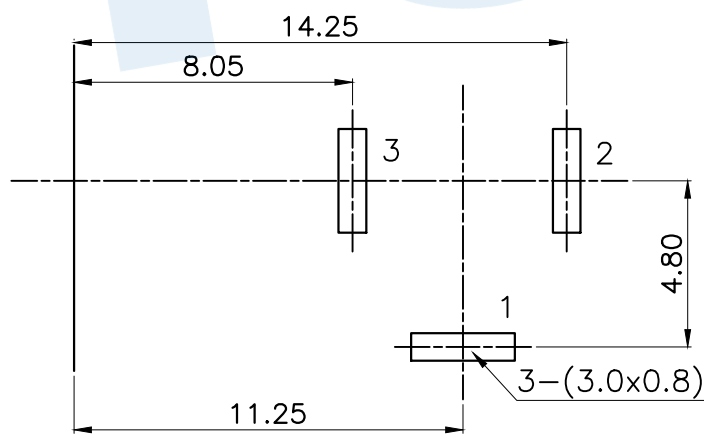
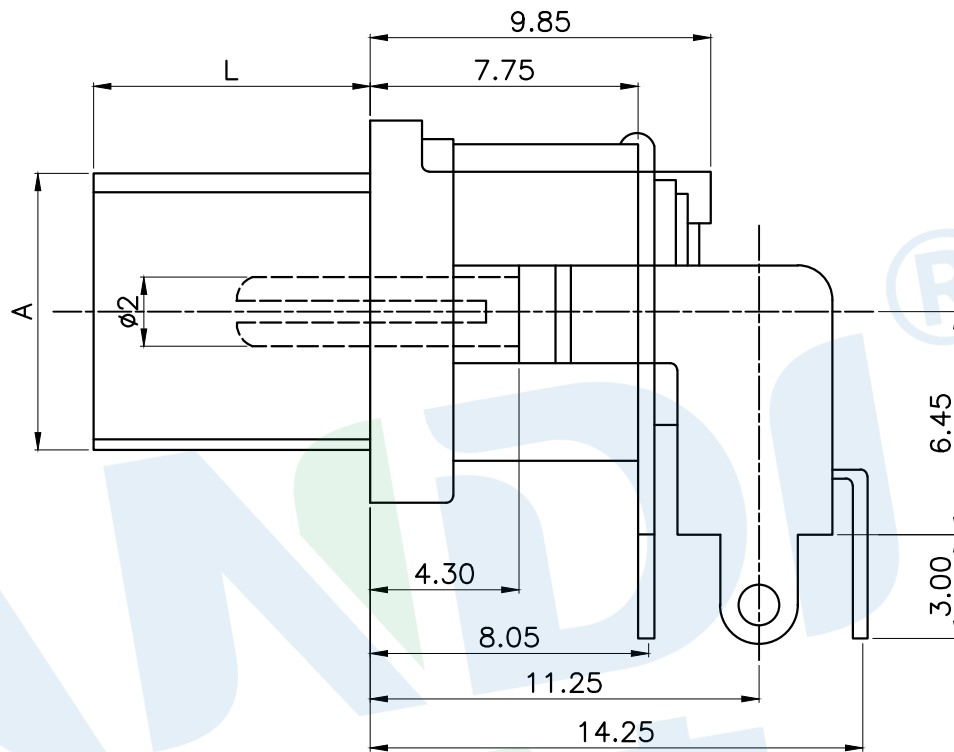
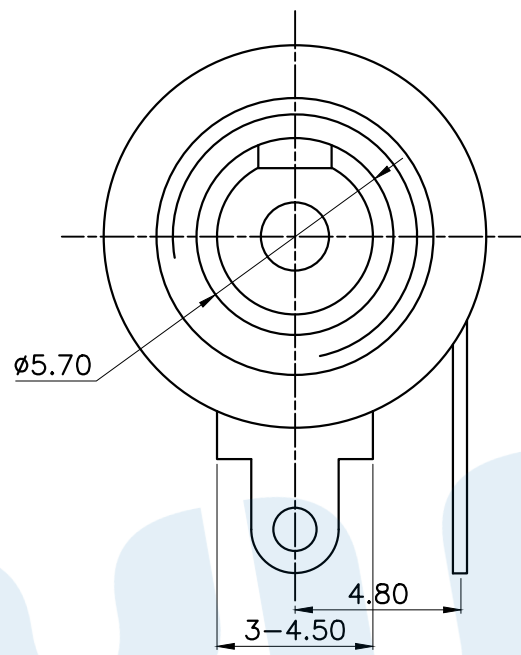


RoHS



P.C.B LAYOUT(Copper-side view)

Model No.	A=∅8 L=5.7	DC-124-A	DC-124-B
	A=M8×P0.75L=5.7	DC-124M-A	DC-124M-B
	A=8 L=8	DC-125-A	DC-125-B
	A=M8×P0.75L=8	DC-125M-A	DC-125M-B
Schematic			

Rating:0.5A 30V DC
 Contact Resistance:100 mΩ Max.
 Operating temperature:-20 ~70
 Operating force:3~20N
 Operating Life:5,000cycles

⊙	Center Pin		1	Phosphor bronze	Copper Tin
⊙	Shrapnel		1	Steel/Copper	Copper Tin
⊙	Terminal		3	Phosphor bronze	Copper Tin
⊙	Housing		1	Nylon	Black
NO.	Name	Number	Qty	Materil	Remarks

YUANDI® Yuandi Electronics Co, Ltd

design	date	name	DC SOCKET
Review	date	model	DC-125
Approved	date		

Drawing number: Proportion 1:1 unit mm gage number A4

modify Review Approved Tolerance not specified