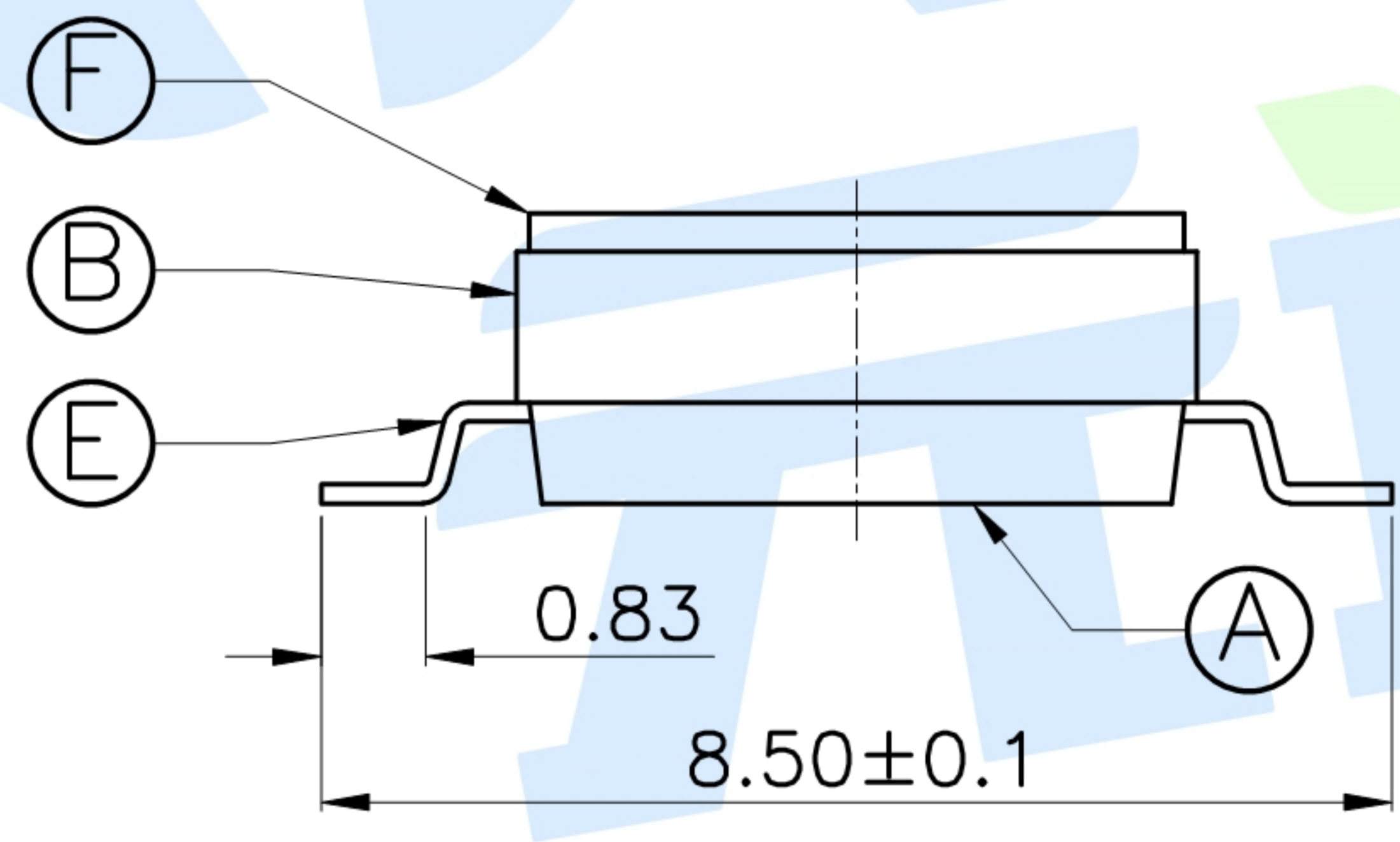
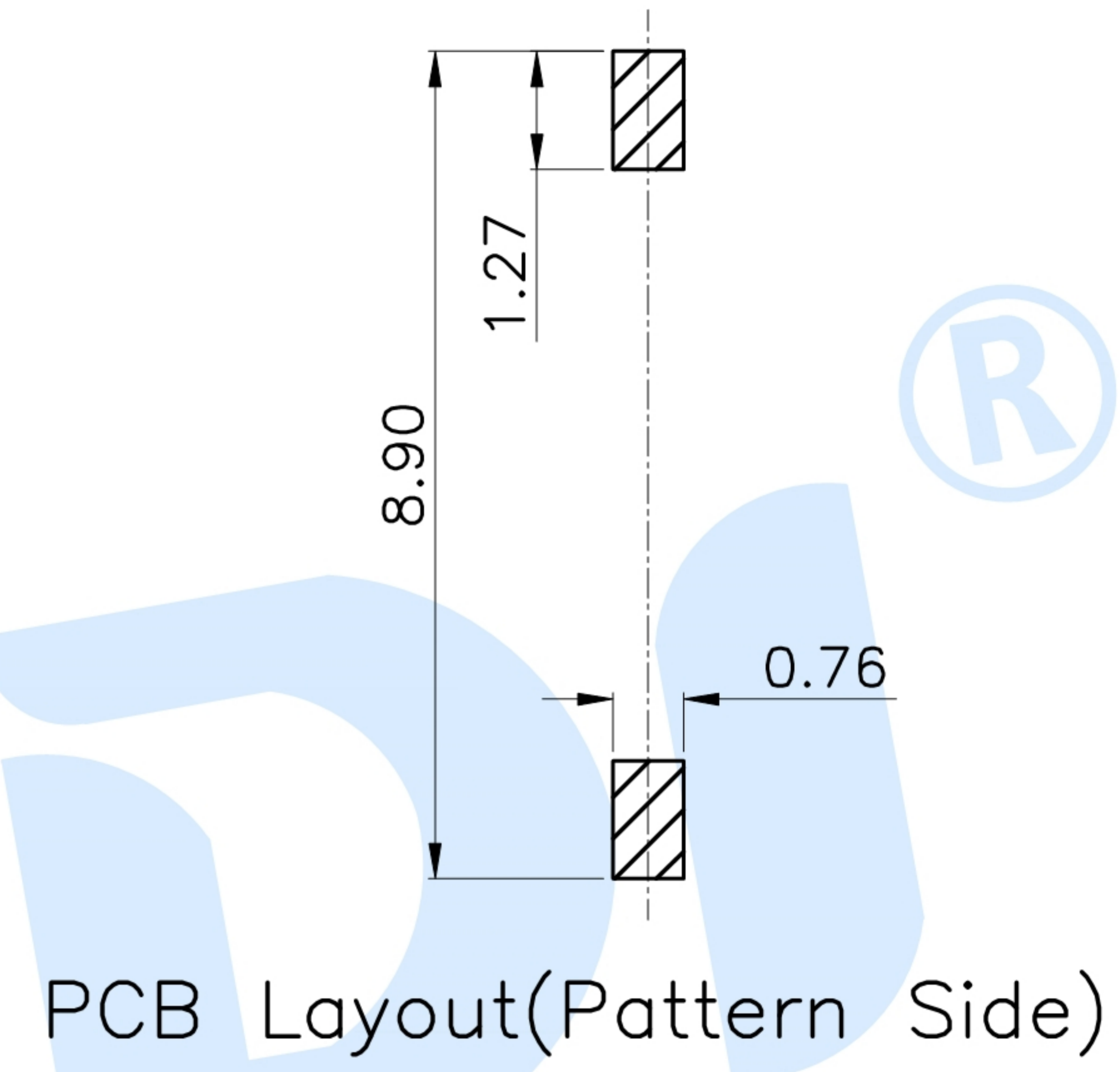
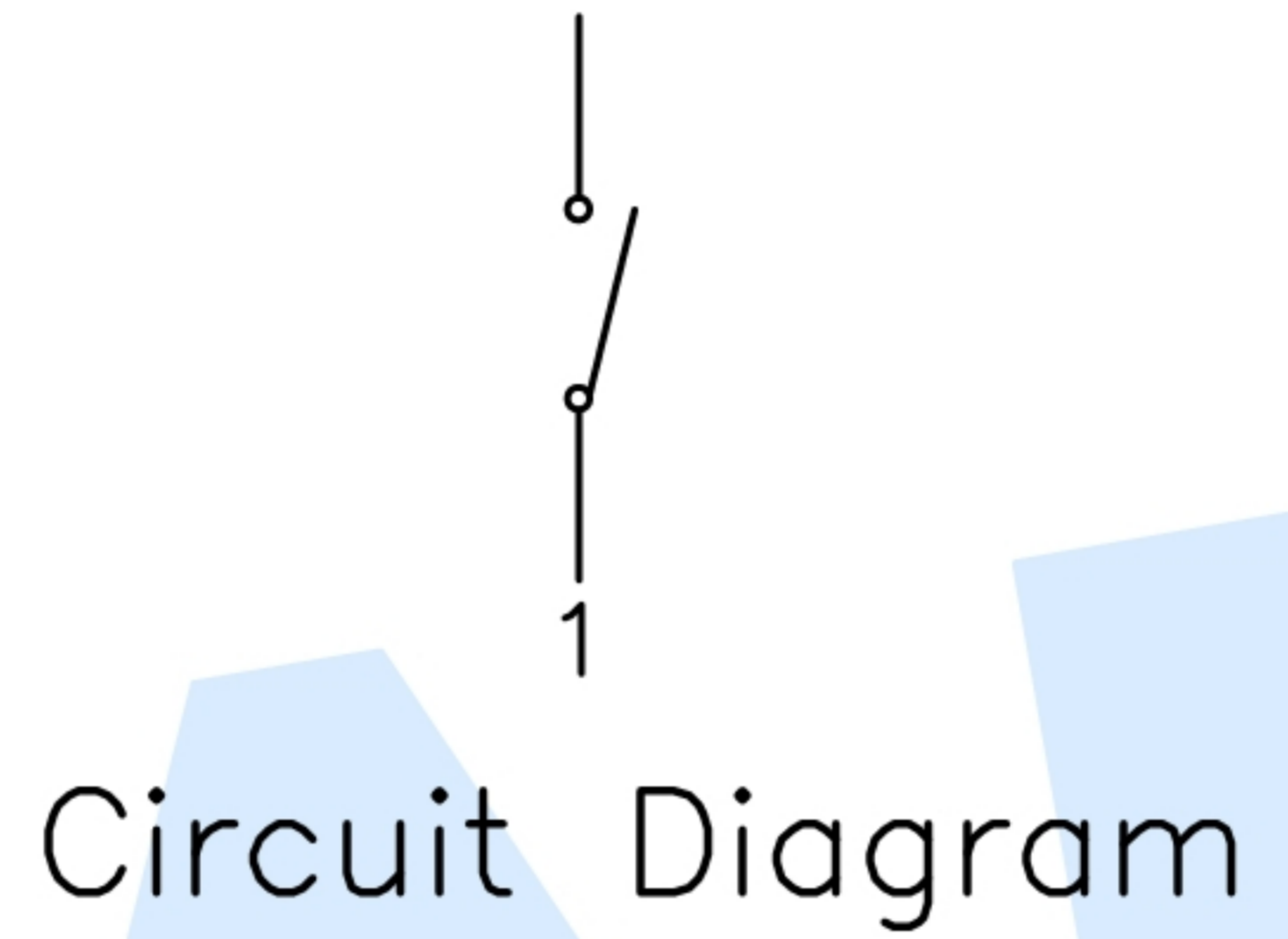
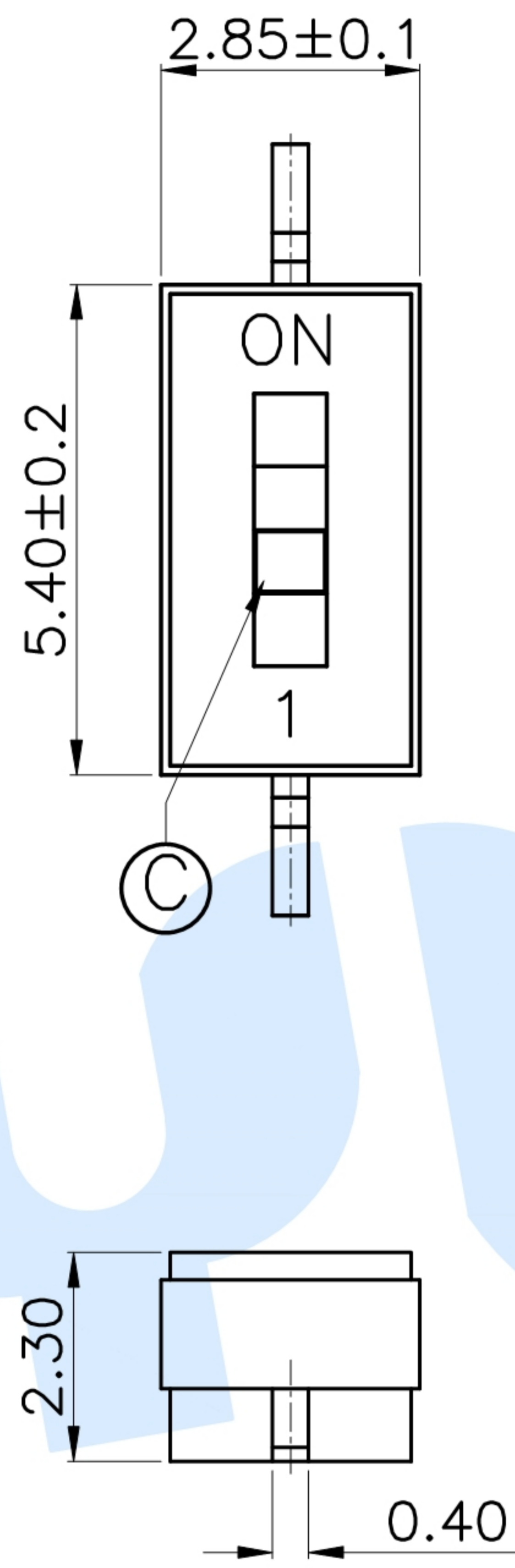


RoHS



NOTE:  
 1.Rating: 50V 100mA DC  
 2.Insulation Resistance:≥100 MΩ  
 3.Withstand voltage:AC 500V 1Minute  
 4.Operating Force Range: 500gf Max  
 5.Mechanical Life:3,000 Cycles

⑥	Dust film		1	Polyimide tape	
⑤	Terminal		2	Phosphor bronze	Gold plating
④	Contact spring		1	Phosphor bronze	Gold plating
③	Handle		1	PA46	White
②	Cover		1	PPS	Black
①	Base		1	PPS	Black
NO.	Name	Number	Qty	Material	Remarks

**YUANDI®** Yuandi Electronics Co.,Ltd  
 元迪

						angle	±2'		design	date	name	DIP SWITCH
						10~30	±0.30		Review	date	model	TP-01
						5~10	±0.20		Approved	date		
						~ 5	±0.10	Drawing number:				
					modify	Review	Approved	Tolerance not specified	Proportion	1:1	unit	mm
									gape number			A4