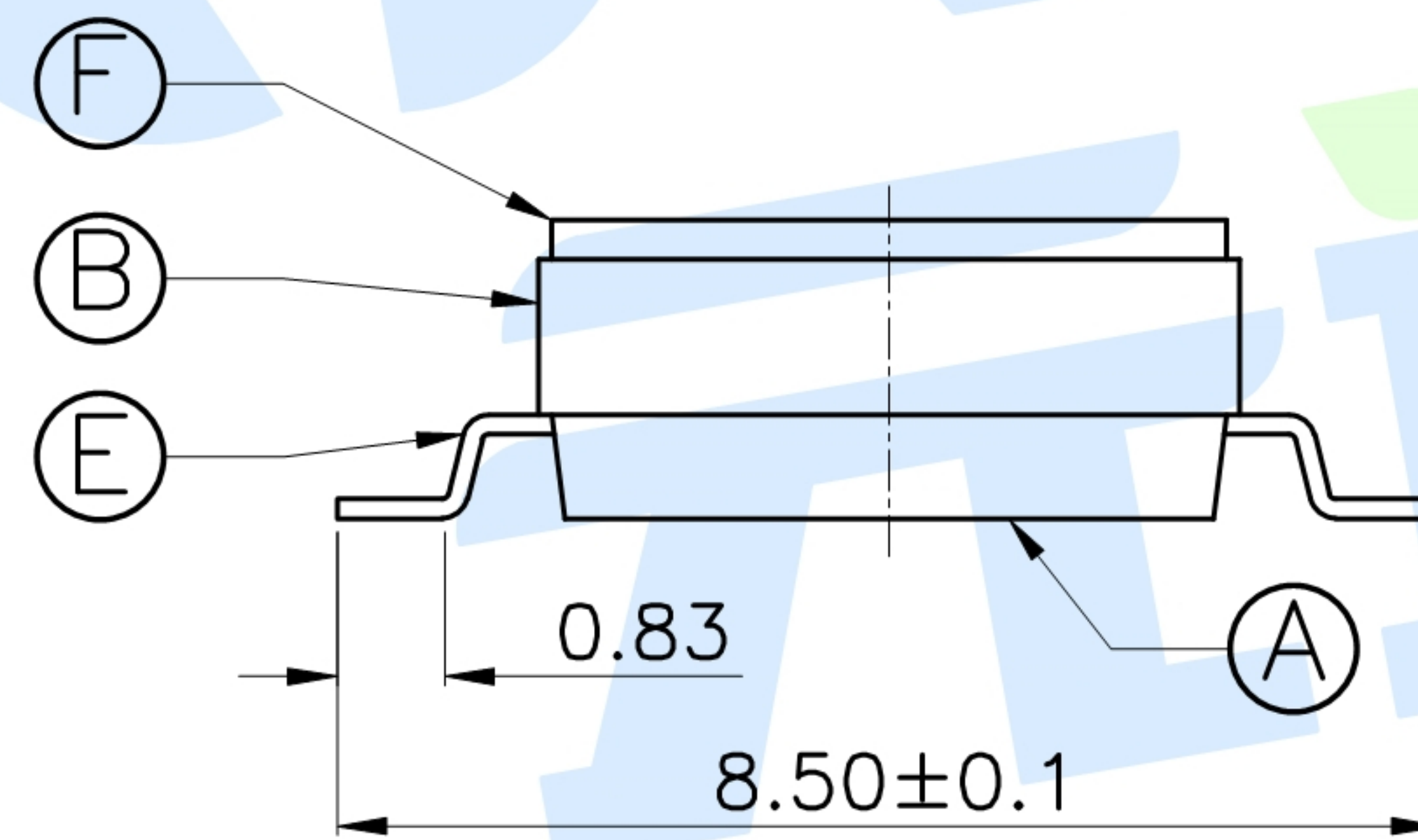
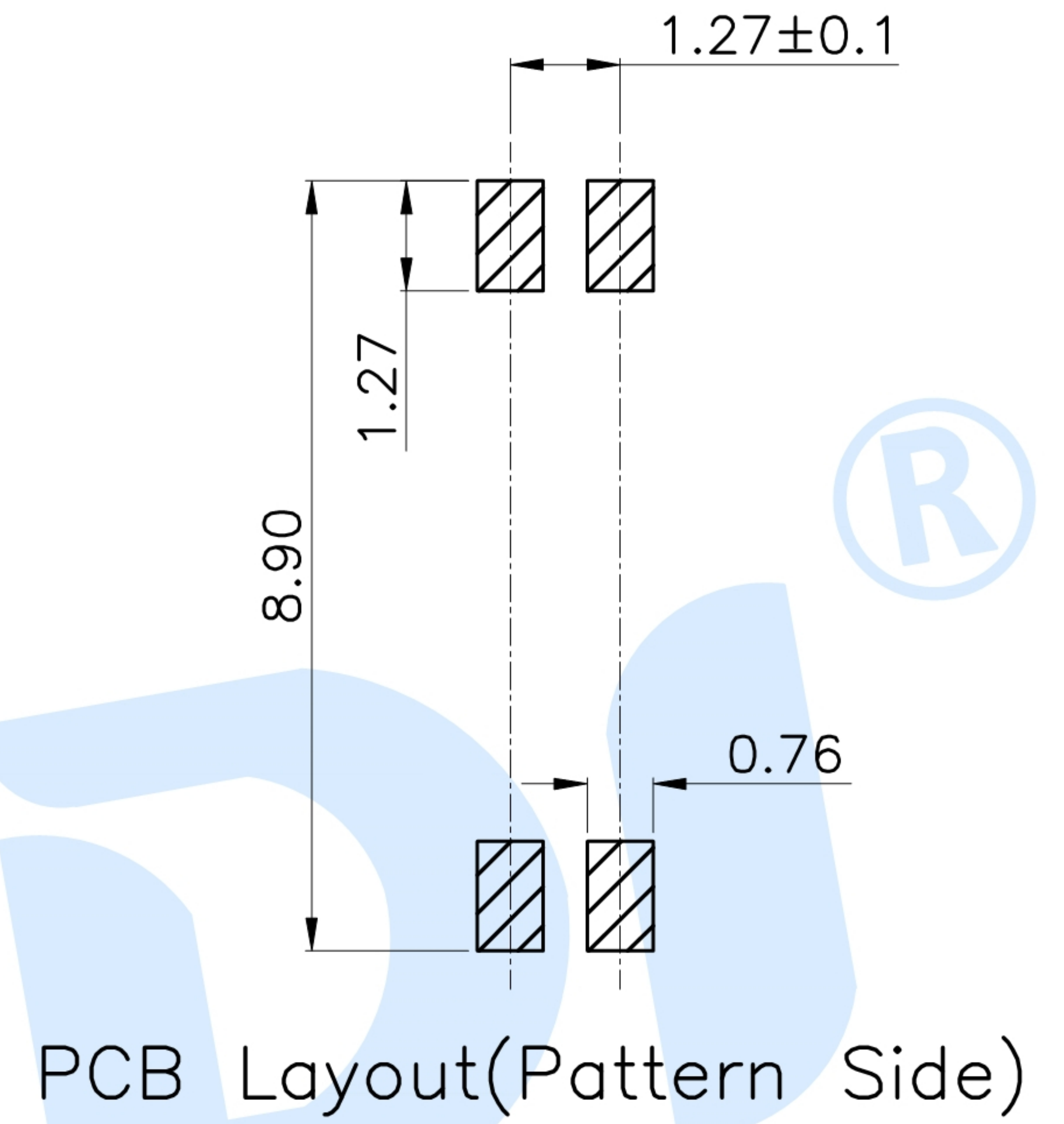
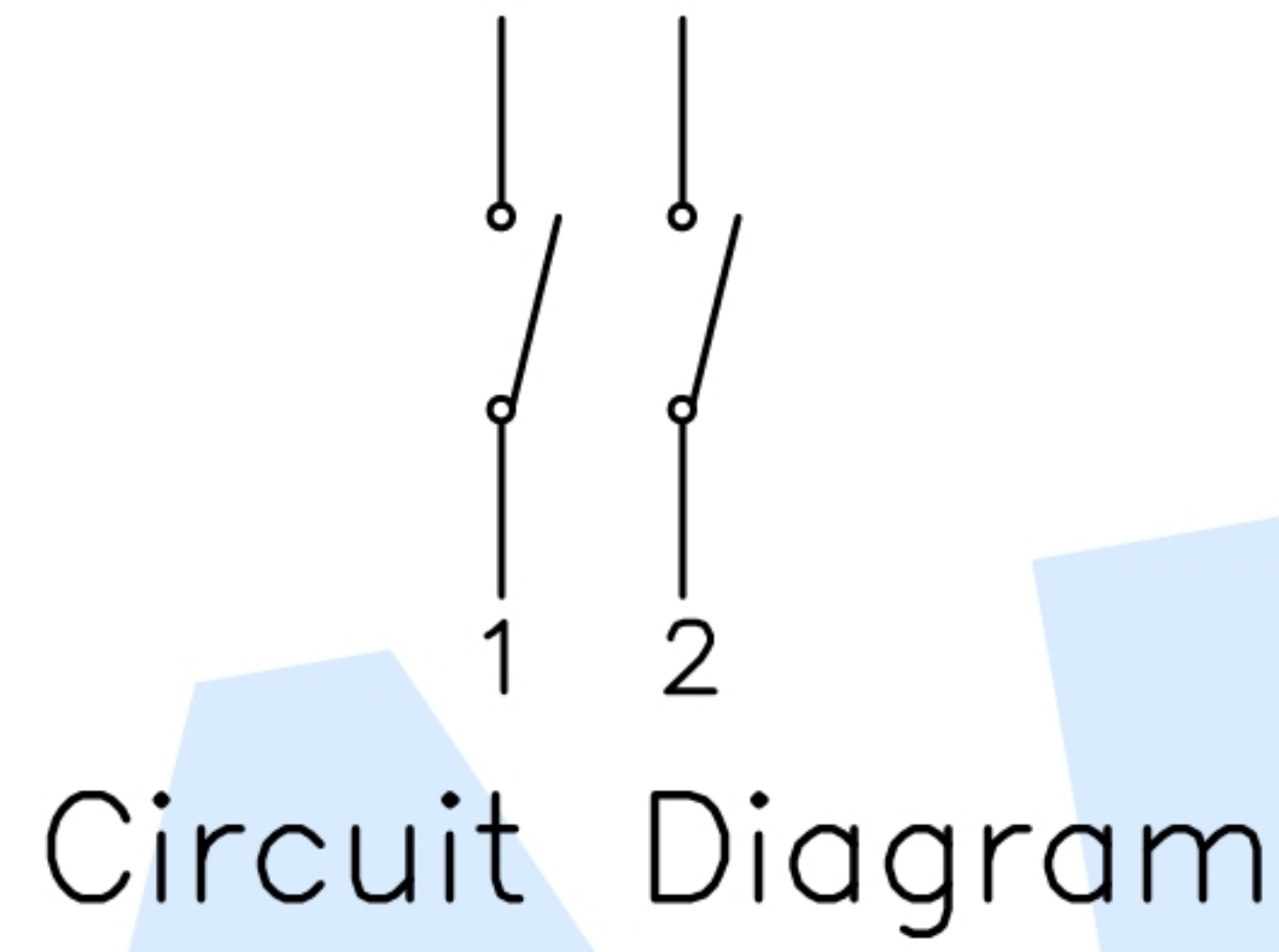
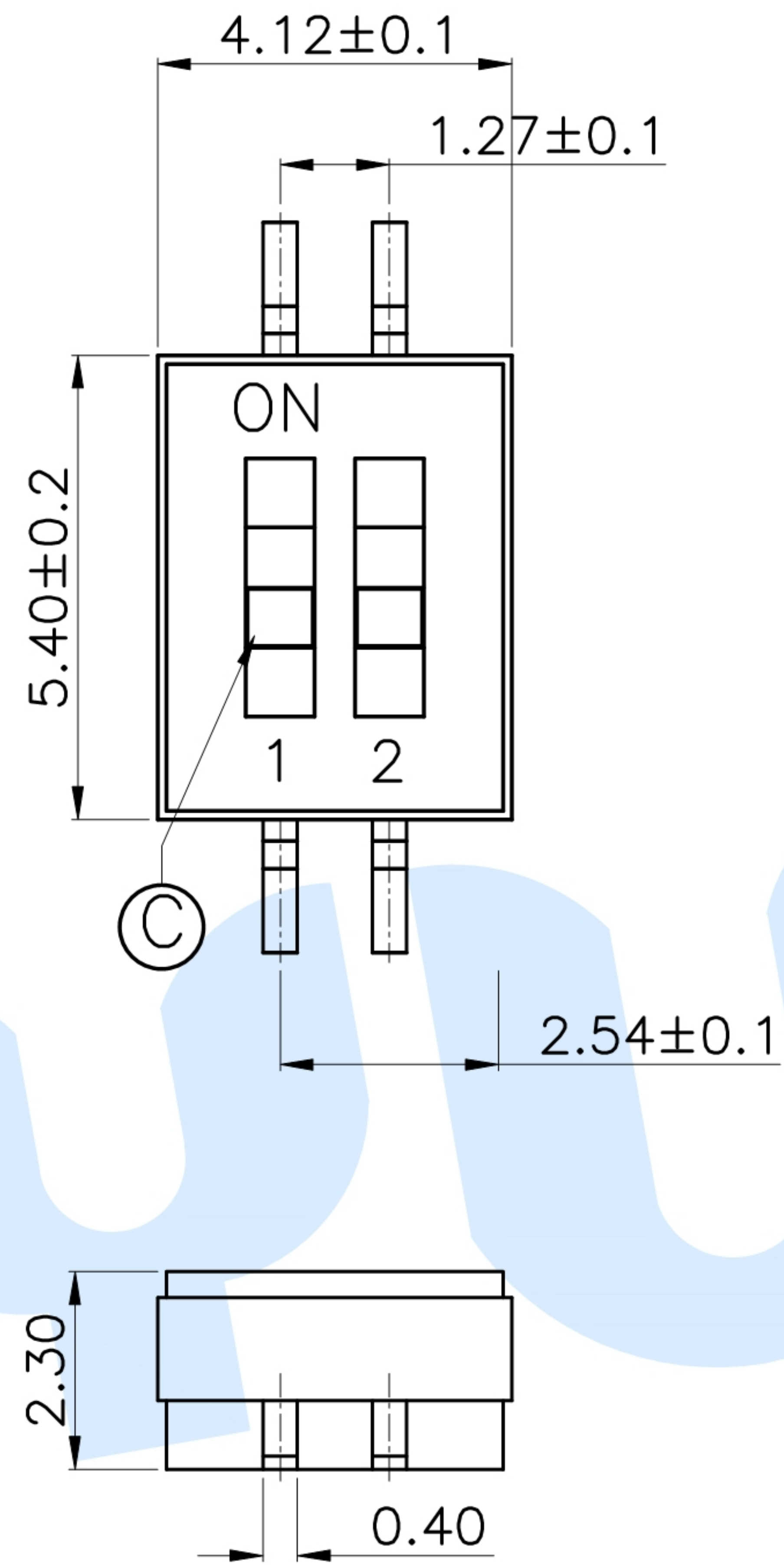


RoHS



NOTE:  
 1. Rating: 50V 100mA DC  
 2. Insulation Resistance:  $\geq 100 \text{ M}\Omega$   
 3. Withstand voltage: AC 500V 1Minute  
 4. Operating Force Range: 500gf Max  
 5. Mechanical Life: 3,000 Cycles

⑥	Dust film		1	Polyimide tape	
⑤	Terminal		4	Phosphor bronze	Gold plating
④	Contact spring		2	Phosphor bronze	Gold plating
③	Handle		2	PA46	White
②	Cover		1	PPS	Black
①	Base		1	PPS	Black
NO.	Name	Number	Qty	Material	Remarks

**YUANDI®** Yuandi Electronics Co, Ltd

design	date	name	DIP SWITCH
Review	date	model	TP-02
Approved	date		

modify Review Approved Tolerance not specified Proportion 1:1 unit mm gage number A4