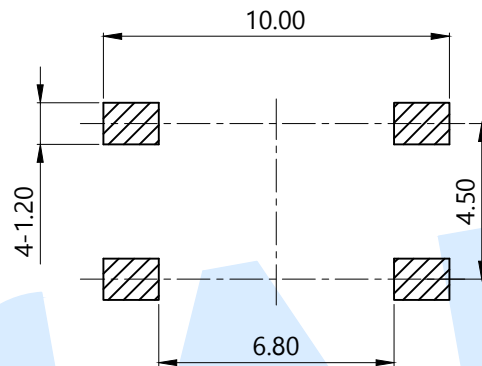
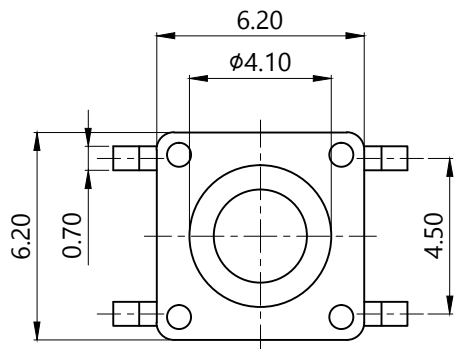
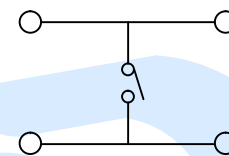


RoHS



PCB Layout(Pattern side)

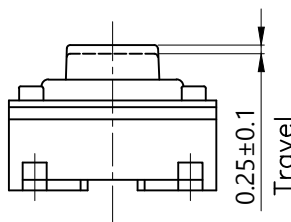
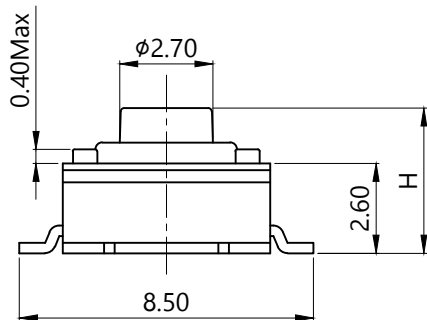


Circuit Diagram

TOTAL HEIGHT	
CODE	H
A1	4.3
A2	5.0

OPERATING FORCE	
CODE	VIGOR
B2	180±30gf
B3	250±30gf

SHRAPNEL	
CODE	MATERIAL/QTY
D2	SUS/1PCS
D4	SUS/2PCS



Ⓕ	Cover		1	Brass	Tin Plated
Ⓔ	Keystoke		1	Nylon	Black
Ⓓ	Waterproof Silicone		1	Silica gel	Yellow
Ⓒ	Contact		1	F.Ag/SUS	Plating silver
Ⓑ	Base		1	Nylon	Black
Ⓐ	Terminal		4	Copper(0.3t)	Plating silver
NO.	Name	Number	Qty	Materil	Remarks

YUANDI® Yuandi Electronics Co, Ltd

design	date	name	TACT SWITCHS
Review	date	name	TS-1033S-A□B□-D□
Approved	date	name	

Drawing number: Proportion 1:1 unit mm gage number A4

modify Review Approved Tolerance not specified

angle	±2'
10~30	±0.30
5~10	±0.20
~ 5	±0.10