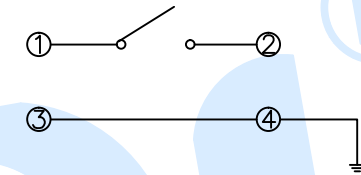
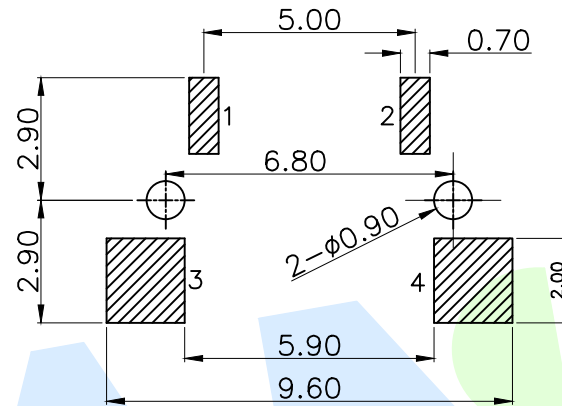
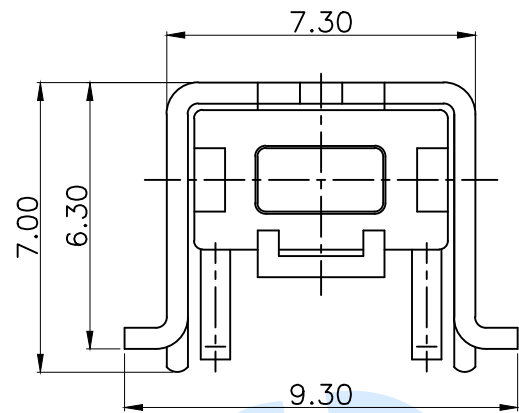


RoHS



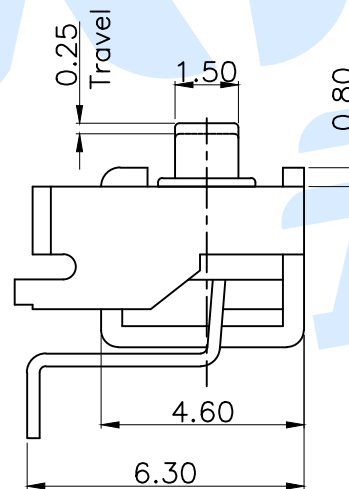
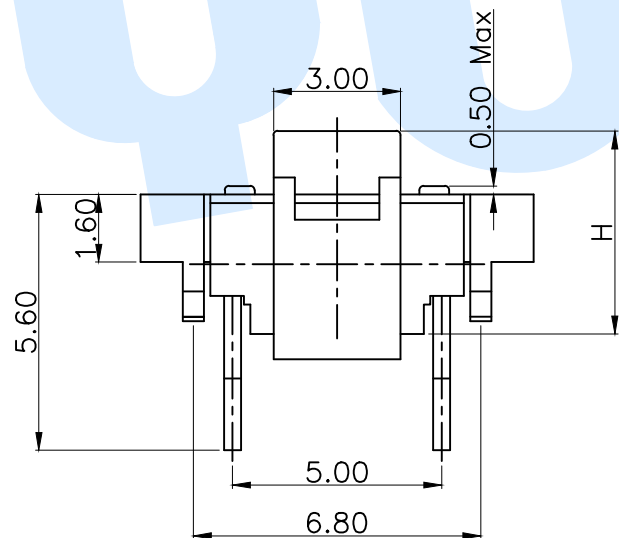
Circuit Diagram

PCB Layout (Pattern Side)

TOTAL HEIGHT	
CODE	H
A1	4.3
A2	5.0

OPERATING FORCE	
CODE	VIGOR
B2	180±30gf
B3	250±30gf

SHRAPNEL	
CODE	MATERIAL/QTY
D2	SUS/1PCS



NO.	Name	Number	Qty	Materil	Remarks
Ⓔ	Terminal		2	Phosphorus bronze	Silvering
Ⓓ	Reed		1	SUS	Silver Covered
Ⓒ	Button		1	PA66	White
Ⓑ	Cover		1	SPCC	Nickel plating
Ⓐ	Base		1	PA66	Black

YUANDI® Yuandi Electronics Co, Ltd

design	date	name	TACT SWITCHS
Review	date	name	TS-1032-A□B□-D□
Approved	date	name	

Drawing number: Proportion 1:1 unit mm gage number A4

modify Review Approved Tolerance not specified

angle	±2'
10~30	±0.30
5~10	±0.20
~ 5	±0.10